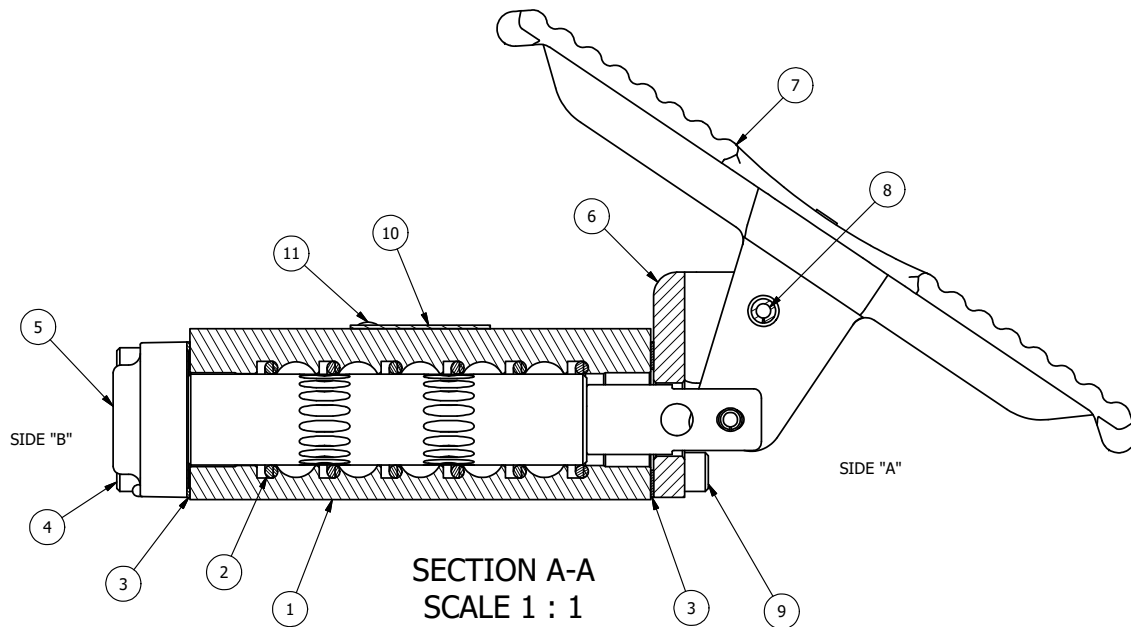


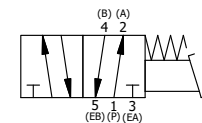
POSITION GASKET ON END OF VALVE SO MOUNTING HOLES ALIGN, BOTH ENDS (SIDE 'A' SHOWN)

NOTES:  
1) ALWAYS GIVE VALVE MODEL, AND PART NUMBER WHEN ORDERING PARTS.



SECTION A-A  
SCALE 1 : 1  
VIEW FROM 3 PORT SIDE

| FLG | QTY | PART NO  | DESCRIPTION                                                     |
|-----|-----|----------|-----------------------------------------------------------------|
| 11  | 2   | V-212    | SCREW, #2 X 3/16 DRIVE, TYPE U, OVAL HEAD, STAINLESS STEEL      |
| 10  | 1   | AN-114   | NAMEPLATE, BLANK, FOR VALVES WITH SPRINGS OR DETENTS            |
| 9   | 4   | V-162    | SCREW, 10-24 X 5/8, SOCKET HEAD CAP                             |
| 8   | 1   | V-508    | PIN, ROLL 3/16 X 5/8 ZINC PLATED STEEL FOR 1/4 FOOT ENDCAP      |
| 7   | 1   | FT3      | TREADLE, FOOT, IRON, NICKEL PLT, 1/4" & 3/8" VALVE              |
| 6   | 1   | FE3-1LO  | END CAP - FOOT PEDAL, LOCKOUT, 303 STAINLESS, 1/4" & 3/8" VALVE |
| 5   | 1   | AY-HA3LO | ASSY - LOCKOUT A, RTRN TO A, LEVER OR TREADLE, 1/4 & 3/8 VALVES |
| 4   | 4   | V-38     | SCREW, 10-24 X 3/4, SOCKET HEAD CAP                             |
| 3   | 2   | ECG3     | GASKET - END CAP, 1/4" & 3/8" VALVE                             |
| 2   | 6   | V-39     | O-RING, VITON, STD BODY, 1/4" & 3/8" VALVES                     |
| 1   | 1   | B3-2E    | BODY - SOLID, PLAIN, NO PILOTS, ANODIZED, 3/8" SIDE PORT VALVE  |



|                                                                               |                 |                                                                                  |                           |                                                                                |
|-------------------------------------------------------------------------------|-----------------|----------------------------------------------------------------------------------|---------------------------|--------------------------------------------------------------------------------|
| LIMITS ON DIMENSIONS<br>UNLESS<br>OTHERWISE SPECIFIED                         |                 | 2-PL DECIMAL ± .01<br>3-PL DECIMAL ± .005<br>FRACTIONAL ± 1/64<br>ANGULAR ± 1/2° |                           | <b>AAA PRODUCTS INTERNATIONAL</b><br>7114 Harry Hines Blvd<br>Dallas, TX 75235 |
| DRAWN: RMckenna                                                               | DATE: 9/12/2016 | CHECKED: KWaite                                                                  | DATE: 9/12/2016           |                                                                                |
| SCALE: 1 : 1                                                                  | SHEET: 1 OF 1   | RELEASED: HWomack                                                                | DATE: 9/12/2016           |                                                                                |
| TITLE:<br><b>3/8" SIDE PORT, TREADLE, 2 POS,<br/>RVRS SPR RTRN, LOCKOUT A</b> |                 |                                                                                  | PART NO.:<br><b>TA3LO</b> | REV.:                                                                          |

THE INFORMATION CONTAINED WITHIN THIS DOCUMENT IS PROPRIETARY TO AAA PRODUCTS AND MAY NOT BE DISCLOSED WITHOUT PRIOR WRITTEN CONSENT

D:\Engineering\Products\Valves\Asmblly\Asmbl\TA3LO.dwg