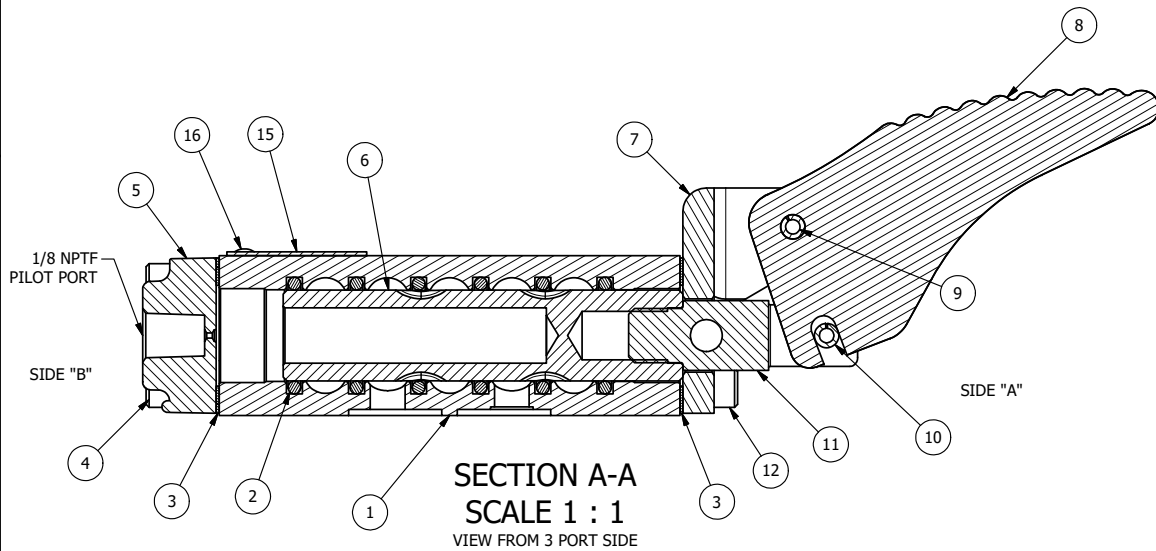


POSITION GASKET ON END OF VALVE SO MOUNTING HOLES ALIGN, BOTH ENDS (SIDE 'A' SHOWN)

NOTES:  
1) ALWAYS GIVE VALVE MODEL, AND PART NUMBER WHEN ORDERING PARTS.



|     |     |          |   |
|-----|-----|----------|---|
| 17  | 1   | NSPK-2   | SUBPLATE MOUNTING KIT NAMUR (2 EA V-566 SCREW, 2 EA V-565 O-RING) |
| 16  | 2   | V-212    | SCREW, #2 X 3/16 DRIVE, TYPE U, OVAL HEAD, STAINLESS STEEL        |
| 15  | 1   | AN-115   | NAMEPLATE, BLANK, FOR HE,KE,KD,RR,D,CR,PP,SR,SS VALVES            |
| 14  | 1   | V-548    | O-RING, BUNA-N, 70 DURO, 6MM X 1MM, NAMUR PLUG                    |
| 13  | 1   | V-547    | PLUG, 360 HALF HARD BRASS, NAMUR VALVE                            |
| 12  | 4   | V-162    | SCREW, 10-24 X 5/8, SOCKET HEAD CAP                               |
| 11  | 1   | HC3-1LOC | CLEVIS - POS. C LOCKOUT, 1/4" & 3/8" VALVE                        |
| 10  | 1   | V-48     | PIN, ROLL 3/16 X 9/16, STEEL, ZINC PLATED                         |
| 9   | 1   | V-508    | PIN, ROLL 3/16 X 5/8 ZINC PLATED STEEL FOR 1/4 FOOT ENDCAP        |
| 8   | 1   | FP3      | PEDAL, FOOT, AL ALLOY, 1/4" & 3/8" VALVE                          |
| 7   | 1   | FE3-1LO  | END CAP - FOOT PEDAL, LOCKOUT, 303 STAINLESS, 1/4" & 3/8" VALVE   |
| 6   | 1   | S3       | SPOOL - STANDARD, 2 POS, CLSD CTR, 1/4" & 3/8" VALVE              |
| 5   | 1   | PEC3     | END CAP, PILOT, 380 AL, 1/4" & 3/8" VALVE                         |
| 4   | 4   | V-38     | SCREW, 10-24 X 3/4, SOCKET HEAD CAP                               |
| 3   | 2   | ECG3     | GASKET - END CAP, 1/4" & 3/8" VALVE                               |
| 2   | 6   | V-39     | O-RING, VITON, STD BODY, 1/4" & 3/8" VALVES                       |
| 1   | 1   | B2-11E-W | NAMUR INTERFACE, WITH 3/2 CONVERSION, 1/4" VALVE                  |
| FLG | QTY | PART NO  | DESCRIPTION   |

LIMITS ON DIMENSIONS  
UNLESS  
OTHERWISE SPECIFIED

2-PL DECIMAL ± .01  
3-PL DECIMAL ± .005  
FRACTIONAL ± 1/64  
ANGULAR ± 1/2°



DRAWN: RMckenna DATE: 5/3/2015

CHECKED: KWaite DATE: 5/14/2015

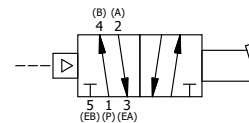
SCALE: 1:1 SHEET: 1 OF 1

RELEASED: HWomack DATE: 5/14/2015

TITLE:  
1/4" NAMUR, PEDAL, 2 POS,  
FRICTION POS, PILOT RTRN,  
LOCKOUT 'C'

PART NO.:  
NFR2LO

REV.:



THE INFORMATION CONTAINED WITHIN THIS DOCUMENT IS PROPRIETARY TO AAA PRODUCTS AND MAY NOT BE DISCLOSED WITHOUT PRIOR WRITTEN CONSENT

P:\Engineering\Product\Valve Assembly\Pedal\FR\59\GWINFR2LO.dwg