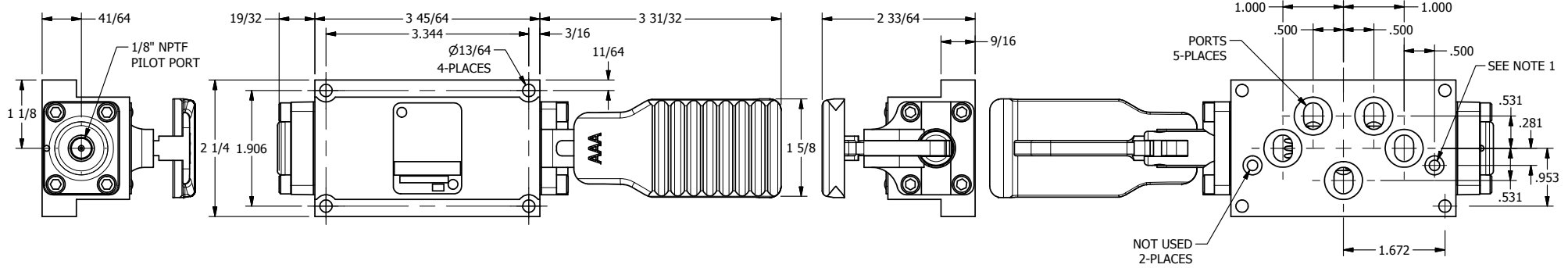
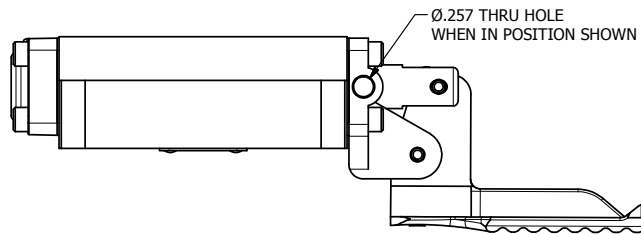


4

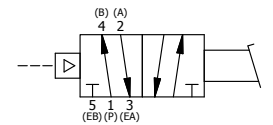
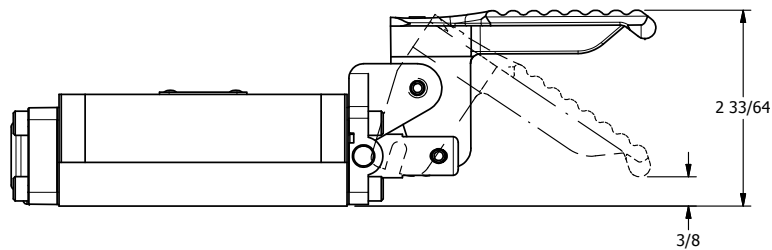
3

2

1



NOTES:  
1) REMOTE PILOT CAN BE ROUTED THROUGH SUBPLATE CONNECTION.



**AAA**  
PRODUCTS  
INTERNATIONAL  
7114 Harry Hines Blvd  
Dallas, TX 75235

TITLE: 3/8" SUBPLATE, PEDAL, 2 POS,  
FRICTION POS, PILOT RTRN,  
HEAVY DUTY PEDAL, LOCKOUT POS 'C'

PART NO.:  
DIM\_FR3PHLO

THE INFORMATION CONTAINED WITHIN THIS DOCUMENT IS PROPRIETARY TO AAA PRODUCTS AND MAY NOT BE DISCLOSED WITHOUT PRIOR WRITTEN CONSENT

4

3

2

1