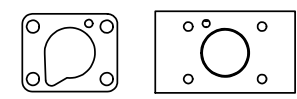
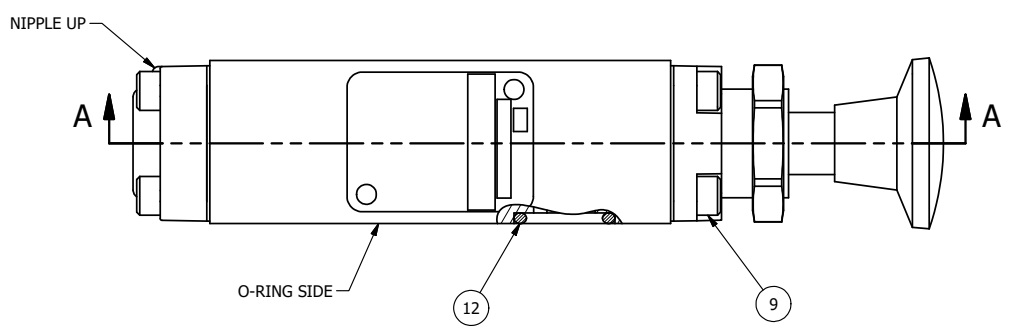
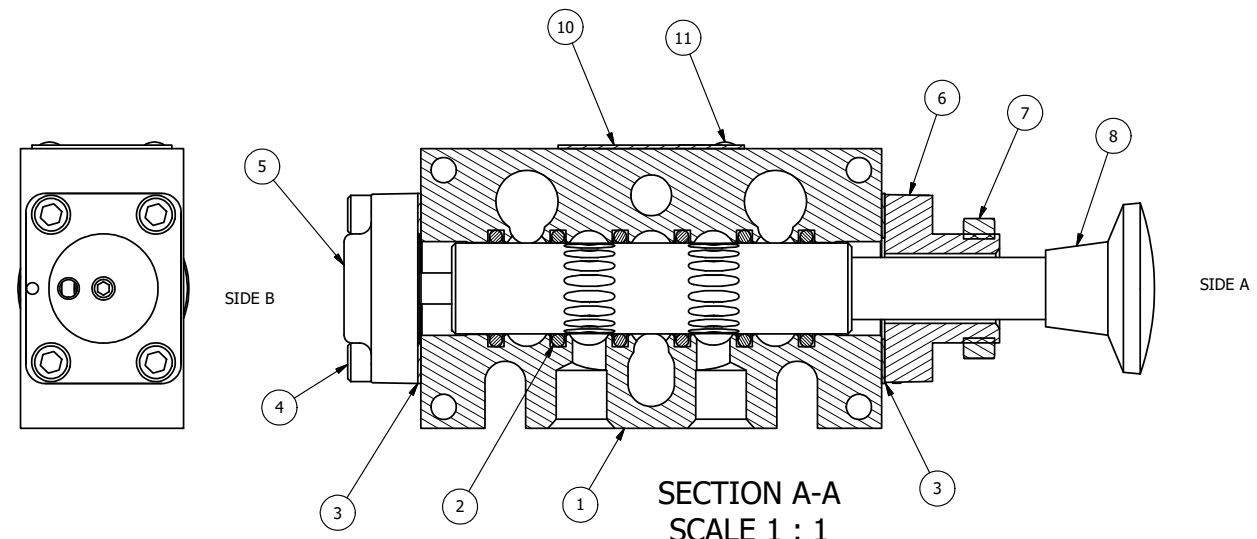


4 | 3 | 2 | 1

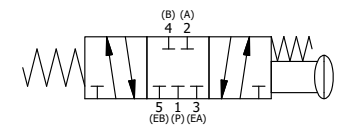


POSITION GASKET ON END OF VALVE TO SEAL PILOT HOLE IF PRESENT, BOTH SIDES (SIDE 'B' SHOWN)



| 12  | 3   | V-110   | O-RING, BUNA-N, 70 DURO, AS-114, (REF 5/8 X 13/16 X 3/32), 1/4" SLEEVE, 1/2" SUB, STACK |
|-----|-----|---------|---|
| 11  | 2   | V-212   | SCREW, #2 X 3/16 DRIVE, TYPE U, OVAL HEAD, STAINLESS STEEL                              |
| 10  | 1   | AN-114  | NAMEPLATE, BLANK, FOR VALVES WITH SPRINGS OR DETENTS                                    |
| 9   | 4   | V-162   | SCREW, 10-24 X 5/8, SOCKET HEAD CAP   |
| 8   | 1   | V-520   | KNOB, BLACK (BRASS 5/16 -18 INSERT), 5/16-18 X 7/16 THREAD, 1-3/8 DIA X 7/8 HEIGHT      |
| 7   | 1   | V-501   | NUT - PANEL MOUNT, YELLOW BRASS, 1/4" & 3/8" VALVE                                      |
| 6   | 1   | PEC3-9  | END CAP, PALM, PANEL MNT, 303 STAINLESS STEEL, 1/4" & 3/8" VALVE                        |
| 5   | 1   | AY-KY3  | SPRING CENTER SPOOL ASSY, PALM BUTTON OPERATOR  |
| 4   | 4   | V-38    | SCREW, 10-24 X 3/4, SOCKET HEAD CAP   |
| 3   | 2   | ECG3    | GASKET - END CAP, 1/4" & 3/8" VALVE   |
| 2   | 6   | V-39    | O-RING, VITON, STD BODY, 1/4" & 3/8" VALVES   |
| 1   | 1   | B2-10E  | FINISHED - SOLID BODY, UPPER PILOTS, 1/4" STACKING VALVE                                |
| FLG | QTY | PART NO | DESCRIPTION   |

NOTES:  
1) ALWAYS GIVE VALVE MODEL AND PART NUMBER WHEN ORDERING PARTS.



|   |                |  |                           |  |
|---|----------------|--|---------------------------|--|
| LIMITS ON DIMENSIONS<br>UNLESS OTHERWISE SPECIFIED  |                | 2-PL DECIMAL ± .01<br>3-PL DECIMAL ± .005<br>FRACTIONAL ± 1/64<br>ANGULAR ± 1/2° |                           | <b>AAA PRODUCTS INTERNATIONAL</b><br>7114 Harry Hines Blvd<br>Dallas, TX 75235 |
| DRAWN: RMckenna   | DATE: 5/2/2022 | CHECKED: KWaite  | DATE: 5/2/2022            |  |
| SCALE: 1 : 1  | SHEET: 1 OF 1  | RELEASED: HWomack  | DATE: 5/2/2022            |  |
| TITLE:<br><b>1/4" STACK, PALM, 3 POS,<br/>SPR CTR, PALM SHFT, CLSD CTR SPL,<br/>PANEL MNT</b> |                |  | PART NO.:<br><b>BKY2R</b> | REV.:  |

4 | 3 | 2 | 1

THE INFORMATION CONTAINED WITHIN THIS DOCUMENT IS PROPRIETARY TO AAA PRODUCTS AND MAY NOT BE DISCLOSED WITHOUT PRIOR WRITTEN CONSENT

D:\Engineering\Products\Valves\Assembly\part\mk\BKY2R.dwg