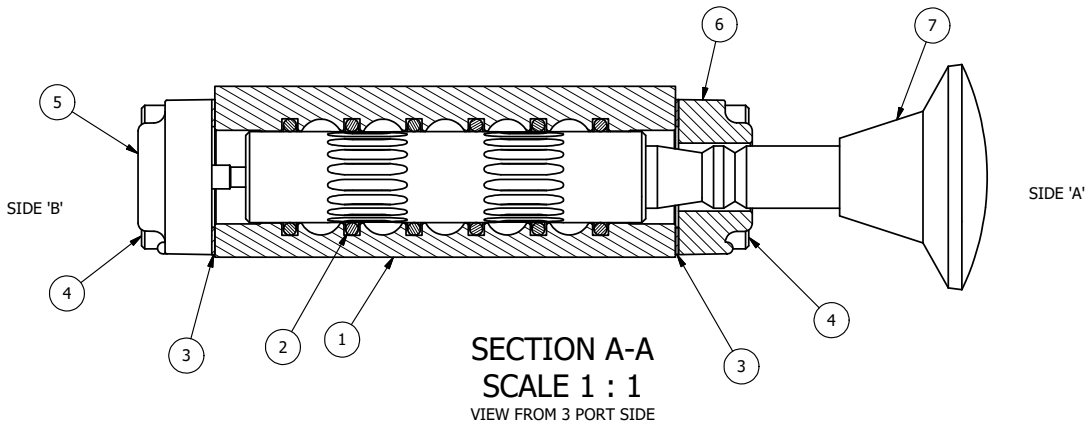
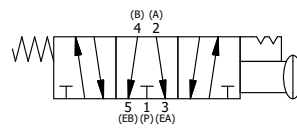


POSITION GASKET ON END OF VALVE SO
MOUNTING HOLES ALIGN,
BOTH ENDS (SIDE 'A' SHOWN)

- NOTES:
1) ALWAYS GIVE VALVE MODEL AND PART NUMBER WHEN ORDERING PARTS.
2) LUBRICATE DETENT BALL, SPRING AND STUD.



| FLG | QTY | PART NO | DESCRIPTION |
|-----|-----|------------|---|
| 10 | 2 | DS3-1 | SPRING, DETENT, STAINLESS, 1/4" & 3/8" VALVE. LEE SPRING # LC 029B 0 S. |
| 9 | 2 | V-14-SS | BALL, 440C STAINLESS STEEL, 3/16 DIA. FOR DETENT |
| 8 | 2 | V-21-SS | SCREW, 1/4-20 X 3/16, SOCKET SET, CUP POINT, 18-8 SS |
| 7 | 1 | V-71 | KNOB, BLACK, PALM, (BRASS 5/16-18 INSERT), 1-13/16 DIA X 1-3/8 HEIGHT |
| 6 | 1 | PEC3-10DD | END CAP, PALM, DOUBLE DETENT, STAINLESS STEEL, 1/4" & 3/8" VALVE |
| 5 | 1 | AY-KX3G-SA | ASSY - DETENT A, SPR CTR FROM C, FLOAT CTR SPL, PALM, SS W/AL SPL, 1/4" & 3/8" VALVES |
| 4 | 8 | V-38-SS | SCREW, 10-24 X 3/4, SOCKET HEAD CAP, 18-8 SS |
| 3 | 2 | ECG3 | GASKET - END CAP, 1/4" & 3/8" VALVE |
| 2 | 6 | V-39 | O-RING, VITON, STD BODY, 1/4" & 3/8" VALVES |
| 1 | 1 | ZB2-2 | BODY - BRASS, NO PILOTS, 1/4" SIDE PORT VALVE |



| | | | | |
|---|-----------------|--|--------------------|--|
| LIMITS ON DIMENSIONS UNLESS OTHERWISE SPECIFIED | | 2-PL DECIMAL ± .01 3-PL DECIMAL ± .005 FRACTIONAL ± 1/64 ANGULAR ± 1/2° | | AAA PRODUCTS INTERNATIONAL 7114 Harry Hines Blvd Dallas, TX 75235 |
| DRAWN: RMckenna | DATE: 9/19/2016 | CHECKED: KWaite | DATE: 9/19/2016 | |
| SCALE: 1 : 1 | SHEET: 1 OF 1 | RELEASED: HWomack | DATE: 9/19/2016 | |
| TITLE: 1/4" SIDE PORT, PALM, 3 POS, DETENT A, SPR CTR FROM C, FLOAT CTR SPL, BRASS & STAINLESS | | | PART NO.: ZKX2G | REV.: |

THE INFORMATION CONTAINED WITHIN THIS DOCUMENT IS PROPRIETARY TO AAA PRODUCTS AND MAY NOT BE DISCLOSED WITHOUT PRIOR WRITTEN CONSENT

P:\Engineering\Product\Valve Assembly\Palm\KX\ZKX2G.dwg