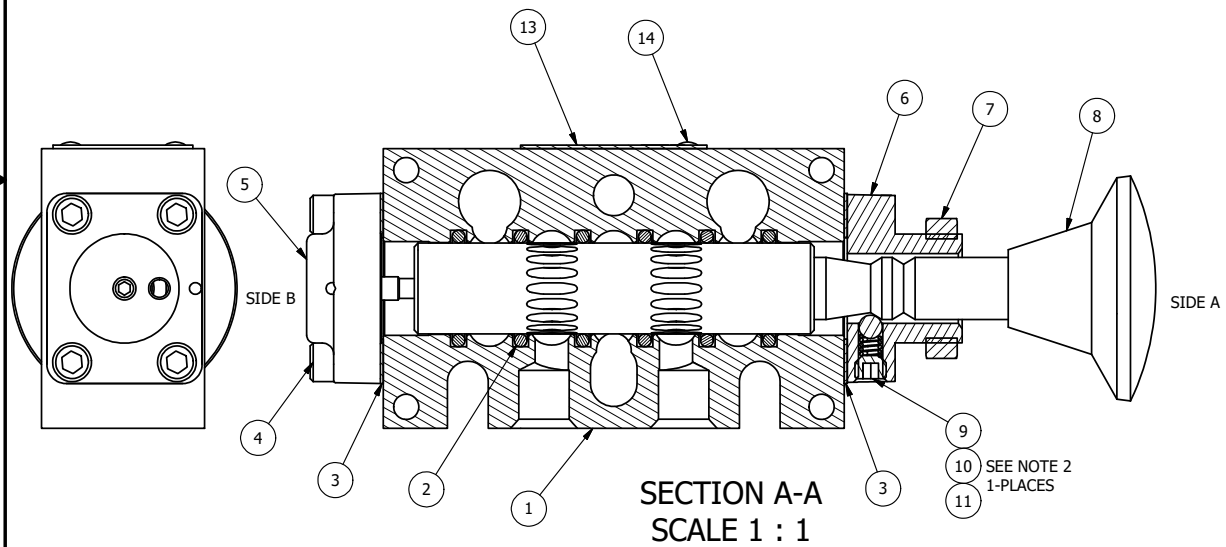


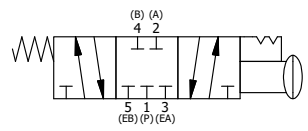
POSITION GASKET ON END OF VALVE TO SEAL PILOT HOLE IF PRESENT, BOTH SIDES (SIDE 'B' SHOWN)

NOTES:  
 1) ALWAYS GIVE VALVE MODEL AND PART NUMBER WHEN ORDERING PARTS.  
 2) LUBRICATE DETENT BALL, SPRING AND STUD.



|     |     |         |   |
|-----|-----|---------|---|
| 15  | 3   | V-110   | O-RING, BUNA-N, 70 DURO, AS-114, (REF 5/8 X 13/16 X 3/32), 1/4" SLEEVE, 1/2" SUB, STACK |
| 14  | 2   | V-212   | SCREW, #2 X 3/16 DRIVE, TYPE U, OVAL HEAD, STAINLESS STEEL                              |
| 13  | 1   | AN-114  | NAMEPLATE, BLANK, FOR VALVES WITH SPRINGS OR DETENTS                                    |
| 12  | 4   | V-162   | SCREW, 10-24 X 5/8, SOCKET HEAD CAP   |
| 11  | 1   | V-14    | BALL, CHROME STEEL 3/16 DIA, GRADE 25, FOR DETENT                                       |
| 10  | 1   | DS3     | SPRING - DETENT, 1/4" & 3/8" VALVE  |
| 9   | 1   | V-21    | SCREW, 1/4-20 X 3/16, SOCKET SET, CUP POINT   |
| 8   | 1   | V-543   | KNOB, RED (BRASS 5/16-18 INSERT), PALM, 1 13/16 DIA, PUSH/PULL, 1/4" & 3/8" VALVES      |
| 7   | 1   | V-501   | NUT - PANEL MOUNT, YELLOW BRASS, 1/4" & 3/8" VALVE                                      |
| 6   | 1   | PEC3-12 | END CAP, PALM, PANEL MNT, DETENT, 303 STAINLESS STEEL, 1/4" & 3/8" VALVE                |
| 5   | 1   | AY-KX3  | ASSY - DETENT A, SPR CTR FROM C, CLSD CTR SPL, PALM, 1/4" & 3/8" VALVES                 |
| 4   | 4   | V-38    | SCREW, 10-24 X 3/4, SOCKET HEAD CAP   |
| 3   | 2   | ECG3    | GASKET - END CAP, 1/4" & 3/8" VALVE   |
| 2   | 6   | V-39    | O-RING, VITON, STD BODY, 1/4" & 3/8" VALVES   |
| 1   | 1   | B2-10E  | FINISHED - SOLID BODY, UPPER PILOTS, 1/4" STACKING VALVE                                |
| FLG | QTY | PART NO | DESCRIPTION   |

SEE NOTE 2  
 1-PLACES



|   |                |  |                            |  |
|---|----------------|--|----------------------------|--|
| LIMITS ON DIMENSIONS<br>UNLESS OTHERWISE SPECIFIED  |                | 2-PL DECIMAL ± .01<br>3-PL DECIMAL ± .005<br>FRACTIONAL ± 1/64<br>ANGULAR ± 1/2° |                            | <b>AAA PRODUCTS INTERNATIONAL</b><br>7114 Harry Hines Blvd<br>Dallas, TX 75235 |
| DRAWN: RMckenna   | DATE: 5/6/2022 | CHECKED: KWaite  | DATE: 5/6/2022             |  |
| SCALE: 1:1  | SHEET: 1 OF 1  | RELEASED: HWormack   | DATE: 5/6/2022             |  |
| TITLE:<br><b>1/4" STACK, PALM, 3 POS,<br/>         DETENT A, SPR CTR FROM C,<br/>         CLSD CTR SPL, PANEL MNT, RED KNOB</b> |                |  | PART NO.:<br><b>BKX2JR</b> | REV.:  |

THE INFORMATION CONTAINED WITHIN THIS DOCUMENT IS PROPRIETARY TO AAA PRODUCTS AND MAY NOT BE DISCLOSED WITHOUT PRIOR WRITTEN CONSENT

P:\Engineering\Products\Valves\Assembly\palm\KX\G\BKX2JR.dwg