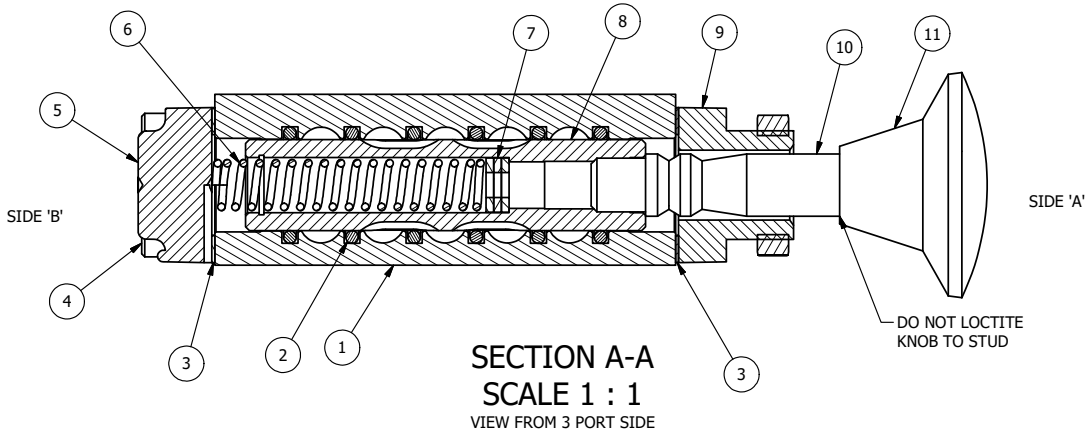


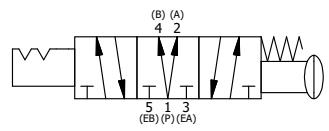
POSITION GASKET ON END OF VALVE SO MOUNTING HOLES ALIGN, BOTH ENDS (SIDE 'A' SHOWN)

- NOTES:  
 1) ALWAYS GIVE VALVE MODEL AND PART NUMBER WHEN ORDERING PARTS.  
 2) LUBRICATE DETENT BALL, SPRING AND STUD.



|     |     |           |  |
|-----|-----|-----------|--|
| 16  | 2   | V-14-SS   | BALL, 440C STAINLESS STEEL, 3/16 DIA. FOR DETENT                             |
| 15  | 2   | DS3-1     | SPRING, DETENT, STAINLESS, 1/4" & 3/8" VALVE. LEE SPRING # LC 029B 0 S.      |
| 14  | 2   | V-21-SS   | SCREW, 1/4-20 X 3/16, SOCKET SET, CUP POINT, 18-8 SS                         |
| 13  | 1   | V-501     | NUT - PANEL MOUNT, YELLOW BRASS, 1/4" & 3/8" VALVE                           |
| 12  | 4   | V-162-SS  | SCREW, 10-24 X 5/8, SOCKET HEAD CAP, STAINLESS STEEL                         |
| 11  | 1   | V-71      | KNOB, BLACK, PALM, (BRASS 5/16-18 INSERT), 1-13/16 DIA X 1-3/8 HEIGHT        |
| 10  | 1   | PBS3-189  | STUD - PALM, 189 ACTION, STAINLESS 1/4" & 3/8" VALVES                        |
| 9   | 1   | PEC3-12DD | END CAP, PALM, PANEL MNT, DBL DETENT, 303 STAINLESS STEEL, 1/4" & 3/8" VALVE |
| 8   | 1   | SSH3D     | SPOOL - 'D', 3 POS, REGEN CTR, 1/4" & 3/8" VALVE                             |
| 7   | 3   | V-43      | WASHER - SPRING CTR, 302/304 STAINLESS STEEL, 1/4" & 3/8" VALVES             |
| 6   | 1   | CS3-1     | SPRING - CENTERING, 1/4" & 3/8" VALVES                                       |
| 5   | 1   | SEC3-3    | END CAP, VENTED, STAINLESS STEEL, 1/4" & 3/8" VALVES                         |
| 4   | 4   | V-38-SS   | SCREW, 10-24 X 3/4, SOCKET HEAD CAP, 18-8 SS                                 |
| 3   | 2   | ECG3      | GASKET - END CAP, 1/4" & 3/8" VALVE  |
| 2   | 6   | V-39      | O-RING, VITON, STD BODY, 1/4" & 3/8" VALVES                                  |
| 1   | 1   | ZB3-2     | BODY - BRASS, NO PILOTS, 3/8" SIDE PORT VALVE                                |
| FLG | QTY | PART NO   | DESCRIPTION  |

|   |                 |  |                     |  |
|---|-----------------|--|---------------------|--|
| LIMITS ON DIMENSIONS<br>UNLESS OTHERWISE SPECIFIED  |                 | 2-PL DECIMAL ± .01<br>3-PL DECIMAL ± .005<br>FRACTIONAL ± 1/64<br>ANGULAR ± 1/2° |                     | <b>AAA PRODUCTS INTERNATIONAL</b><br>7114 Harry Hines Blvd<br>Dallas, TX 75235 |
| DRAWN: RMckenna   | DATE: 9/14/2016 | CHECKED: KWaite  | DATE: 9/14/2016     |  |
| SCALE: 1 : 1  | SHEET: 1 OF 1   | RELEASED: HWomack  | DATE: 9/14/2016     |  |
| TITLE:<br>3/8" SIDE PORT, PALM, 3 POS,<br>DETENT C, SPR CTR FROM A,<br>REGEN CTR, BRASS & SS, PANEL MNT |                 |  | PART NO.:<br>ZKW3DR | REV.:  |



THE INFORMATION CONTAINED WITHIN THIS DOCUMENT IS PROPRIETARY TO AAA PRODUCTS AND MAY NOT BE DISCLOSED WITHOUT PRIOR WRITTEN CONSENT