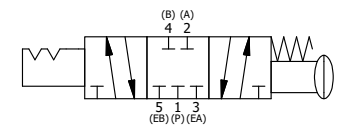
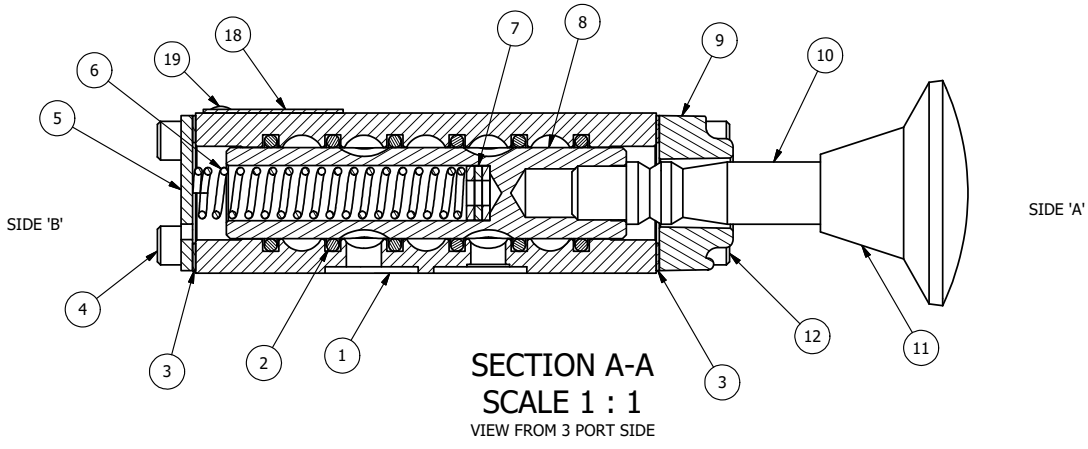


POSITION GASKET TO SEAL PILOT HOLE BOTH SIDES. (SIDE 'A' SHOWN)

NOTES:

- 1) ALWAYS GIVE VALVE MODEL AND PART NUMBER WHEN ORDERING PARTS.
- 2) LUBRICATE DETENT BALL, SPRING AND STUD.

| | | | |
|-----|-----|----------|---|
| 20 | 1 | NSPK-2 | SUBPLATE MOUNTING KIT NAMUR (2 EA V-566 SCREW, 2 EA V-565 O-RING) |
| 19 | 2 | V-212 | SCREW, #2 X 3/16 DRIVE, TYPE U, OVAL HEAD, STAINLESS STEEL |
| 18 | 1 | AN-114 | NAMEPLATE, BLANK, FOR VALVES WITH SPRINGS OR DETENTS |
| 17 | 1 | V-548 | O-RING, BUNA-N, 70 DURO, 6MM X 1MM, NAMUR PLUG |
| 16 | 1 | V-547 | PLUG, 360 HALF HARD BRASS, NAMUR VALVE |
| 15 | 2 | V-14 | BALL, CHROME STEEL 3/16 DIA, GRADE 25, FOR DETENT |
| 14 | 2 | DS3 | SPRING - DETENT, 1/4" & 3/8" VALVE |
| 13 | 2 | V-21 | SCREW, 1/4-20 X 3/16, SOCKET SET, CUP POINT |
| 12 | 4 | V-38 | SCREW, 10-24 X 3/4, SOCKET HEAD CAP |
| 11 | 1 | V-71 | KNOB, BLACK, PALM, (BRASS 5/16-18 INSERT), 1-13/16 DIA X 1-3/8 HEIGHT |
| 10 | 1 | PBS3-189 | STUD - PALM, 189 ACTION, 1/4" & 3/8" VALVES |
| 9 | 1 | PEC3-3DD | END CAP, PALM, DOUBLE DETENT, 380 AL, 1/4" & 3/8" VALVE |
| 8 | 1 | S3 | SPOOL - STANDARD, 2 POS, CLSD CTR, 1/4" & 3/8" VALVE |
| 7 | 3 | V-43 | WASHER - SPRING CTR, 302/304 STAINLESS STEEL, 1/4" & 3/8" VALVES |
| 6 | 1 | CS3-1 | SPRING - CENTERING, 1/4" & 3/8" VALVES |
| 5 | 1 | SEC3 | END CAP, 304 STAINLESS STEEL, 1/4" & 3/8" VALVE |
| 4 | 4 | V-37 | SCREW, 10-24 X 1/2, SOCKET HEAD CAP |
| 3 | 2 | ECG3 | GASKET - END CAP, 1/4" & 3/8" VALVE |
| 2 | 6 | V-39 | O-RING, VITON, STD BODY, 1/4" & 3/8" VALVES |
| 1 | 1 | B2-11E-W | NAMUR INTERFACE, WITH 3/2 CONVERSION, 1/4" VALVE |
| FLG | QTY | PART NO | DESCRIPTION |



| | | | | |
|--|-----------------|--|--------------------------|--|
| LIMITS ON DIMENSIONS UNLESS OTHERWISE SPECIFIED | | 2-PL DECIMAL ± .01 3-PL DECIMAL ± .005 FRACTIONAL ± 1/64 ANGULAR ± 1/2° | | AAA PRODUCTS INTERNATIONAL 7114 Harry Hines Blvd Dallas, TX 75235 |
| DRAWN: RMckenna | DATE: 9/14/2016 | CHECKED: KWaite | DATE: 9/14/2016 | |
| SCALE: 1 : 1 | SHEET: 1 OF 1 | RELEASED: HWomack | DATE: 9/14/2016 | |
| TITLE: 1/4" NAMUR, PALM, 3 POS, DETENT C, SPR CTR FROM A, CLSD CTR SPL | | | PART NO.: NKW2 | REV.: |

THE INFORMATION CONTAINED WITHIN THIS DOCUMENT IS PROPRIETARY TO AAA PRODUCTS AND MAY NOT BE DISCLOSED WITHOUT PRIOR WRITTEN CONSENT

P:\Engineering\Product\Valve Assembly\Palm\KW2\G\NKW2.dwg