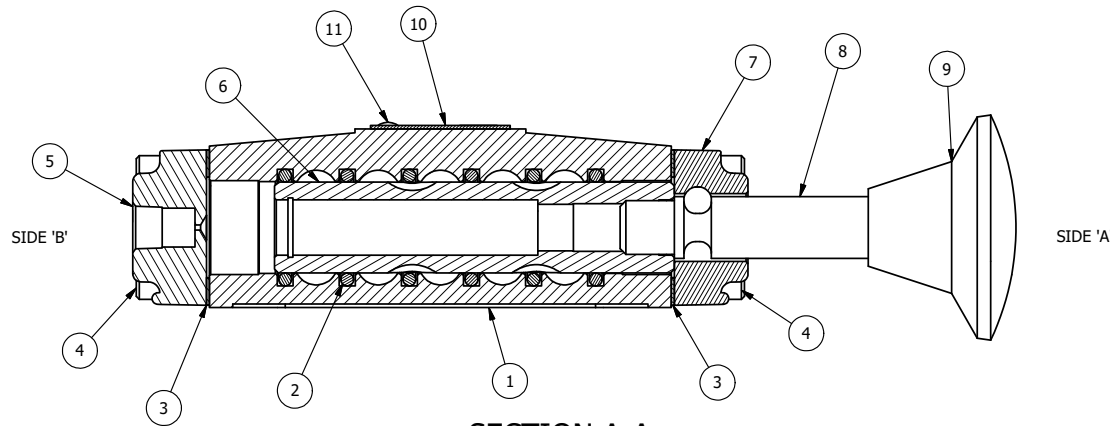


POSITION GASKET ON END OF VALVE SO MOUNTING HOLES ALIGN, BOTH ENDS (SIDE 'A' SHOWN)



SECTION A-A
SCALE 1 : 1
VIEW FROM 3 PORT SIDE

NOTES:

- 1) ALWAYS GIVE VALVE MODEL AND PART NUMBER WHEN ORDERING PARTS.
- 2) APPLY ANTI-SEIZE COMPOUND LIGHTLY TO THE FIRST 1/4" OF THE SCREW THREAD. APPLICATION SHOULD BE AROUND THE THREAD OF THE SCREW.
- 3) NOT ALL PARTS ARE 316 STAINLESS, SOME ARE 18-8, 303 STAINLESS AND BRASS.
- 4) USE MASTER LOCK #7LJKAP176 (ORDERED SEPERATELY, #7LJ KEYPED ALIKE - KAP176).

| 11 | 2 | V-212 | SCREW, #2 X 3/16 DRIVE, TYPE U, OVAL HEAD, STAINLESS STEEL |
|-----|-----|-------------|---|
| 10 | 1 | AN-106 | NAMEPLATE, BLANK, STAINLESS STEEL |
| 9 | 1 | V-71 | KNOB, BLACK, PALM, (BRASS 5/16-18 INSERT), 1-13/16 DIA X 1-3/8 HEIGHT |
| 8 | 1 | PBS3-1LO-SS | STUD - PALM, LOCKOUT POS. C, STAINLESS STEEL 1/4" & 3/8" VALVE |
| 7 | 1 | PEC3-10LO | END CAP, PALM, LOCK OUT, STAINLESS STEEL, 1/4" & 3/8" VALVE |
| 6 | 1 | SSH3-SS | SPOOL - STANDARD, 2 POS, CLSD CTR, STAINLESS, 1/4" & 3/8" VALVE |
| 5 | 1 | PEC3-11 | END CAP, PILOT, STAINLESS STEEL, 1/4" & 3/8" VALVE |
| 4 | 8 | V-500 | SCREW, 10-24 X 3/4, SOCKET HEAD CAP, STAINLESS |
| 3 | 2 | ECG3 | GASKET - END CAP, 1/4" & 3/8" VALVE |
| 2 | 6 | V-39 | O-RING, VITON, STD BODY, 1/4" & 3/8" VALVES |
| 1 | 1 | B3-2-SS | BODY - STAINLESS STEEL, PLAIN, NO PILOTS, 3/8" SIDE PORT VALVE |
| FLG | QTY | PART NO | DESCRIPTION |

LIMITS ON DIMENSIONS
UNLESS
OTHERWISE SPECIFIED

2-PL DECIMAL ± .01
3-PL DECIMAL ± .005
FRACTIONAL ± 1/64
ANGULAR ± 1/2°



DRAWN: RMckenna DATE: 5/11/2015

CHECKED: KWaite DATE: 5/17/2015

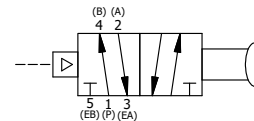
SCALE: 1 : 1 SHEET: 1 OF 1

RELEASED: HWomack DATE: 5/17/2015

TITLE:
**3/8" SIDE PORT, PALM, 2 POS,
PILOT RTRN, LOCKOUT C,
STAINLESS**

PART NO.:
KR3LOSS

REV.:
A



| A | NO. | DATE | REVISION |
|---|-----------|------------------------------|----------|
| | 8/19/2020 | REPLACED S3-SS WITH SSH3-SS. | |