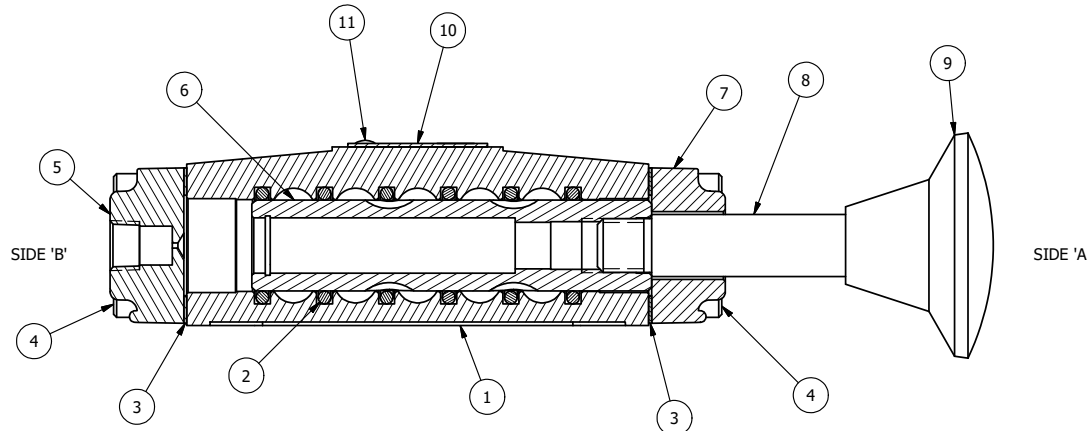


POSITION GASKET ON END OF VALVE SO MOUNTING HOLES ALIGN, BOTH ENDS (SIDE 'A' SHOWN)



SECTION A-A
SCALE 1 : 1
VIEW FROM 3 PORT SIDE

NOTES:

- 1) ALWAYS GIVE VALVE MODEL AND PART NUMBER WHEN ORDERING PARTS.
- 2) APPLY ANTI-SEIZE COMPOUND LIGHTLY TO THE FIRST 1/4" OF THE SCREW THREAD. APPLICATION SHOULD BE AROUND THE THREAD OF THE SCREW.
- 3) NOT ALL PARTS ARE 316 STAINLESS, SOME ARE 18-8, 303 STAINLESS AND BRASS.

FLG	QTY	PART NO	DESCRIPTION
11	2	V-212	SCREW, #2 X 3/16 DRIVE, TYPE U, OVAL HEAD, STAINLESS STEEL
10	1	AN-106	NAMEPLATE, BLANK, STAINLESS STEEL
9	1	V-71	KNOB, BLACK, PALM, (BRASS 5/16-18 INSERT), 1-13/16 DIA X 1-3/8 HEIGHT
8	1	PBS3	STUD - PALM, STANDARD, STAINLESS, 1/4" & 3/8" VALVE
7	1	PEC3-10	END CAP, PALM, STAINLESS STEEL, 1/4" & 3/8" VALVE
6	1	SSH3-SS	SPOOL - STANDARD, 2 POS, CLSD CTR, STAINLESS, 1/4" & 3/8" VALVE
5	1	PEC3-11	END CAP, PILOT, STAINLESS STEEL, 1/4" & 3/8" VALVE
4	8	V-500	SCREW, 10-24 X 3/4, SOCKET HEAD CAP, STAINLESS
3	2	ECG3	GASKET - END CAP, 1/4" & 3/8" VALVE
2	6	V-39	O-RING, VITON, STD BODY, 1/4" & 3/8" VALVES
1	1	B2-2-SS	BODY - STAINLESS STEEL, PLAIN, NO PILOTS, 1/4" SIDE PORT VALVE

LIMITS ON DIMENSIONS
UNLESS OTHERWISE SPECIFIED

2-PL DECIMAL ± .01
3-PL DECIMAL ± .005
FRACTIONAL ± 1/64
ANGULAR ± 1/2°



DRAWN: RMckenna DATE: 5/11/2015

CHECKED: KWaite DATE: 5/17/2015

SCALE: 1 : 1 SHEET: 1 OF 1

RELEASED: HWomack DATE: 5/17/2015

TITLE:
**1/4" SIDE PORT, PALM, 2 POS,
PILOT RTRN, STAINLESS**

PART NO.:
KR2SS

REV.:
A

A	NO.	DATE	REVISION
	8/19/2020	REPLACED S3-SS WITH SSH3-SS.	

THE INFORMATION CONTAINED WITHIN THIS DOCUMENT IS PROPRIETARY TO AAA PRODUCTS AND MAY NOT BE DISCLOSED WITHOUT PRIOR WRITTEN CONSENT