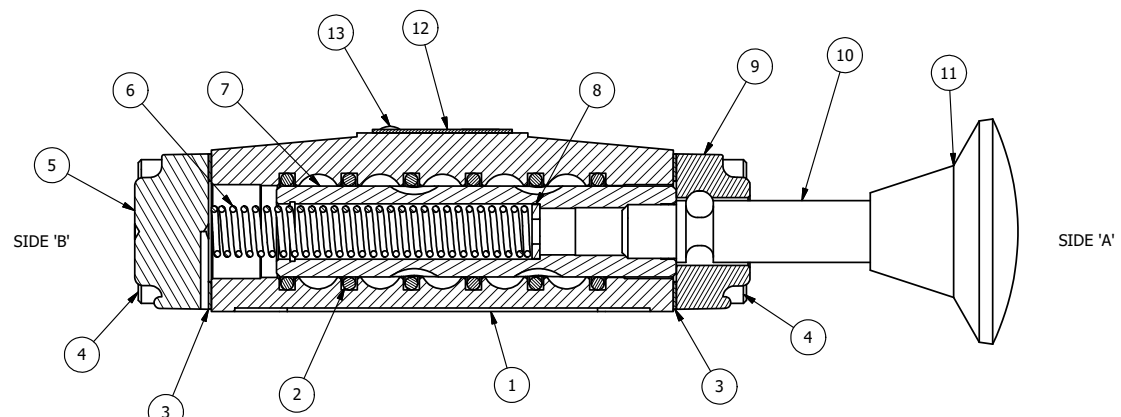


POSITION GASKET ON END OF VALVE SO MOUNTING HOLES ALIGN, BOTH ENDS (SIDE 'A' SHOWN)

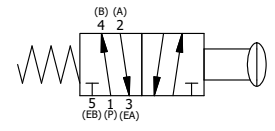


SECTION A-A
SCALE 1 : 1
VIEW FROM 3 PORT SIDE

QTY	PART NO	DESCRIPTION
13	2	V-212 SCREW, #2 X 3/16 DRIVE, TYPE U, OVAL HEAD, STAINLESS STEEL
12	1	AN-106 NAMEPLATE, BLANK, STAINLESS STEEL
11	1	V-543 KNOB, RED (BRASS 5/16-18 INSERT), PALM, 1 13/16 DIA, PUSH/PULL, 1/4" & 3/8" VALVES
10	1	PBS3-1LO-SS STUD - PALM, LOCKOUT POS. C, STAINLESS STEEL 1/4" & 3/8" VALVE
9	1	PEC3-10LO END CAP, PALM, LOCK OUT, STAINLESS STEEL, 1/4" & 3/8" VALVE
8	1	V-43 WASHER - SPRING CTR, 302/304 STAINLESS STEEL, 1/4" & 3/8" VALVES
7	1	SSH3-SS SPOOL - STANDARD, 2 POS, CLSD CTR, STAINLESS, 1/4" & 3/8" VALVE
6	1	CS3-2 SPRING - RETURN, (HO & KO) 1/4" & 3/8" VALVES
5	1	SEC3-3 END CAP, VENTED, STAINLESS STEEL, 1/4" & 3/8" VALVES
4	8	V-500 SCREW, 10-24 X 3/4, SOCKET HEAD CAP, STAINLESS
3	2	ECG3 GASKET - END CAP, 1/4" & 3/8" VALVE
2	6	V-39 O-RING, VITON, STD BODY, 1/4" & 3/8" VALVES
1	1	B2-2-SS BODY - STAINLESS STEEL, PLAIN, NO PILOTS, 1/4" SIDE PORT VALVE
FLG	QTY	PART NO DESCRIPTION

- NOTES:
- 1) ALWAYS GIVE VALVE MODEL AND PART NUMBER WHEN ORDERING PARTS.
 - 2) APPLY ANTI-SEIZE COMPOUND LIGHTLY TO THE FIRST 1/4" OF THE SCREW THREAD. APPLICATION SHOULD BE AROUND THE THREAD OF THE SCREW.
 - 3) NOT ALL PARTS ARE 316 STAINLESS, SOME ARE 18-8, 303 STAINLESS AND BRASS.
 - 4) USE MASTER LOCK #7LJKAP176 (ORDERED SEPARATELY, #7LJ KEYPED ALIKE - KAP176).

LIMITS ON DIMENSIONS UNLESS OTHERWISE SPECIFIED		2-PL DECIMAL ± .01 3-PL DECIMAL ± .005 FRACTIONAL ± 1/64 ANGULAR ± 1/2°		AAA PRODUCTS INTERNATIONAL 7114 Harry Hines Blvd Dallas, TX 75235
DRAWN: RMckenna	DATE: 5/10/2015	CHECKED: KWaite	DATE: 5/17/2015	
SCALE: 1 : 1	SHEET: 1 OF 1	RELEASED: HWomack	DATE: 5/17/2015	
TITLE: 1/4" SIDE PORT, PALM, 2 POS, SPRING TRRN, LOCKOUT C, RED KNOB, STAINLESS			PART NO.: KO2JLOSS	REV.: B



NO.	DATE	REVISION
B	8/19/2020	REPLACED S3-SS WITH SSH3-SS, ADDED V-43.
A	7/20/2016	CHANGED SPRING FROM CS3-5 TO WEAKER CS3-2.

THE INFORMATION CONTAINED WITHIN THIS DOCUMENT IS PROPRIETARY TO AAA PRODUCTS AND MAY NOT BE DISCLOSED WITHOUT PRIOR WRITTEN CONSENT

D:\Engineering\product\Valves\Assembly\Palm\KOA\GW\KO2JLOSS.dwg