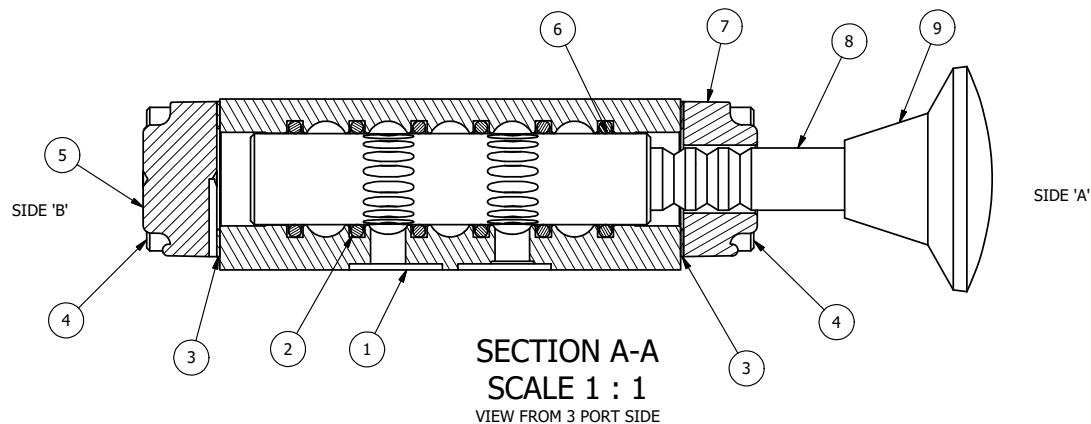


NOTES:

- 1) ALWAYS GIVE VALVE MODEL AND PART NUMBER WHEN ORDERING PARTS.
- 2) LUBRICATE DETENT BALL, SPRING AND STUD.



| FLG | QTY | PART NO | DESCRIPTION |
|-----|-----|----------|--|
| 15 | 1 | ZNSPK-2 | KIT - SUBPLATE MOUNTING, BRASS NAMUR, (2 EA V-618-SS SCREW, 2 EA V-565 O-RING) |
| 14 | 1 | V-548 | O-RING, BUNA-N, 70 DURO, 6MM X 1MM, NAMUR PLUG |
| 13 | 1 | V-547 | PLUG, 360 HALF HARD BRASS, NAMUR VALVE |
| 12 | 1 | DS3-1 | SPRING, DETENT, STAINLESS, 1/4" & 3/8" VALVE. LEE SPRING # LC 029B 0 S. |
| 11 | 1 | V-14-SS | BALL, 440C STAINLESS STEEL, 3/16 DIA. FOR DETENT |
| 10 | 1 | V-21-SS | SCREW, 1/4-20 X 3/16, SOCKET SET, CUP POINT, 18-8 SS |
| 9 | 1 | V-543 | KNOB, RED (BRASS 5/16-18 INSERT), PALM, 1 13/16 DIA, PUSH/PULL, 1/4" & 3/8" VALVES |
| 8 | 1 | PBS3-3 | STUD - PALM, 3 POS. DETENT, STAINLESS, 1/4" & 3/8" VALVE |
| 7 | 1 | PEC3-10D | END CAP, PALM, DETENT, STAINLESS STEEL, 1/4" & 3/8" VALVE |
| 6 | 1 | S3 | SPOOL - STANDARD, 2 POS, CLSD CTR, 1/4" & 3/8" VALVE |
| 5 | 1 | SEC3-3 | END CAP, VENTED, STAINLESS STEEL, 1/4" & 3/8" VALVES |
| 4 | 8 | V-38-SS | SCREW, 10-24 X 3/4, SOCKET HEAD CAP, 18-8 SS |
| 3 | 2 | ECG3 | GASKET - END CAP, 1/4" & 3/8" VALVE |
| 2 | 6 | V-39 | O-RING, VITON, STD BODY, 1/4" & 3/8" VALVES |
| 1 | 1 | Z2-11 | BODY - BRASS, UPPER PILOTS (BUTTON BLEEDER), 1/4" NAMUR |

LIMITS ON DIMENSIONS
UNLESS OTHERWISE SPECIFIED

2-PL DECIMAL ± .01
3-PL DECIMAL ± .005
FRACTIONAL ± 1/64
ANGULAR ± 1/2°



DRAWN: RMckenna DATE: 5/8/2015
SCALE: 1 : 1 SHEET: 1 OF 1

CHECKED: KWaite DATE: 5/17/2015
RELEASED: HWomack DATE: 5/17/2015

TITLE:
**1/4" NAMUR, PALM, 3 POS,
DETENT, PULL RTRN, CLSD CTR SPL,
BRASS & STAINLESS, RED KNOB**

PART NO.:
ZNKD2J

REV.:

THE INFORMATION CONTAINED WITHIN THIS DOCUMENT IS PROPRIETARY TO AAA PRODUCTS AND MAY NOT BE DISCLOSED WITHOUT PRIOR WRITTEN CONSENT

D:\Engineering\product\Valves\Assembly\Palm\K05\G-ZNKD2J.dwg