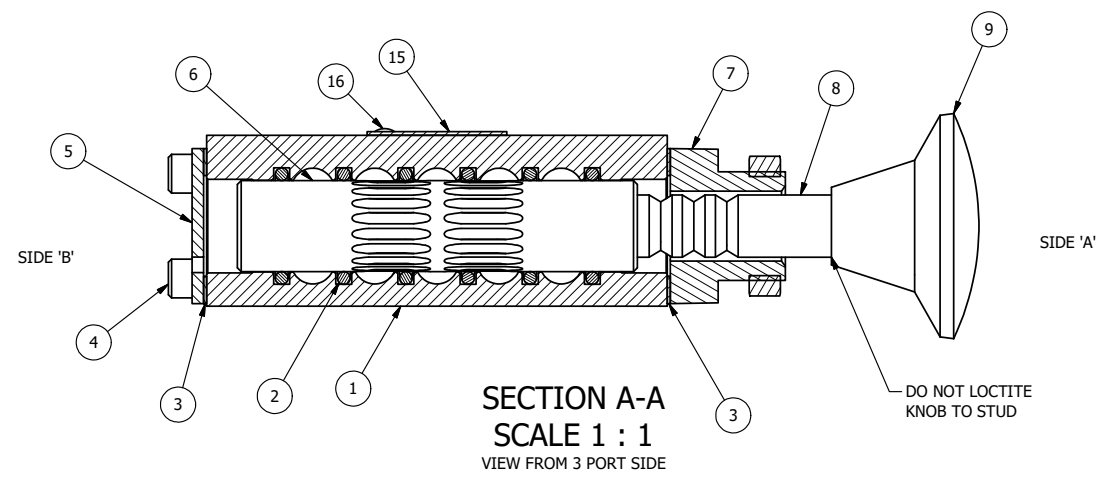


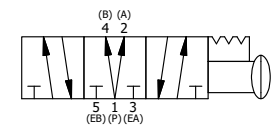
POSITION GASKET ON END OF VALVE SO MOUNTING HOLES ALIGN, BOTH ENDS (SIDE 'A' SHOWN)

NOTES:
 1) ALWAYS GIVE VALVE MODEL AND PART NUMBER WHEN ORDERING PARTS.
 2) LUBRICATE DETENT BALL, SPRING AND STUD.



| FLG | QTY | PART NO | DESCRIPTION |
|-----|-----|---------|--|
| 16 | 2 | V-212 | SCREW, #2 X 3/16 DRIVE, TYPE U, OVAL HEAD, STAINLESS STEEL |
| 15 | 1 | AN-114 | NAMEPLATE, BLANK, FOR VALVES WITH SPRINGS OR DETENTS |
| 14 | 1 | V-14 | BALL, CHROME STEEL 3/16 DIA, GRADE 25, FOR DETENT |
| 13 | 1 | DS3 | SPRING - DETENT, 1/4" & 3/8" VALVE |
| 12 | 1 | V-21 | SCREW, 1/4-20 X 3/16, SOCKET SET, CUP POINT |
| 11 | 1 | V-501 | NUT - PANEL MOUNT, YELLOW BRASS, 1/4" & 3/8" VALVE |
| 10 | 4 | V-162 | SCREW, 10-24 X 5/8, SOCKET HEAD CAP |
| 9 | 1 | V-71 | KNOB, BLACK, PALM, (BRASS 5/16-18 INSERT), 1-13/16 DIA X 1-3/8 HEIGHT |
| 8 | 1 | PBS3-3 | STUD - PALM, 3 POS. DETENT, 1/4" & 3/8" VALVE |
| 7 | 1 | PEC3-12 | END CAP, PALM, PANEL MNT, DETENT, 303 STAINLESS STEEL, 1/4" & 3/8" VALVE |
| 6 | 1 | SSH3D | SPOOL - 'D', 3 POS, REGEN CTR, 1/4" & 3/8" VALVE |
| 5 | 1 | SEC3 | END CAP, 304 STAINLESS STEEL, 1/4" & 3/8" VALVE |
| 4 | 4 | V-37 | SCREW, 10-24 X 1/2, SOCKET HEAD CAP |
| 3 | 2 | ECG3 | GASKET - END CAP, 1/4" & 3/8" VALVE |
| 2 | 6 | V-39 | O-RING, VITON, STD BODY, 1/4" & 3/8" VALVES |
| 1 | 1 | B3-2E | BODY - SOLID, PLAIN, NO PILOTS, ANODIZED, 3/8" SIDE PORT VALVE |

| | | | | |
|---|-----------------|--|---------------------------|--|
| LIMITS ON DIMENSIONS UNLESS OTHERWISE SPECIFIED | | 2-PL DECIMAL ± .01 3-PL DECIMAL ± .005 FRACTIONAL ± 1/64 ANGULAR ± 1/2° | | AAA PRODUCTS INTERNATIONAL 7114 Harry Hines Blvd Dallas, TX 75235 |
| DRAWN: RMckenna | DATE: 5/15/2015 | CHECKED: KWaite | DATE: 5/17/2015 | |
| SCALE: 1 : 1 | SHEET: 1 OF 1 | RELEASED: HWomack | DATE: 5/17/2015 | |
| TITLE: 3/8" SIDE PORT, PALM, 3 POS, DETENT, PULL RTRN, REGEN CTR SPL, PANEL MNT | | | PART NO.: KD3DR | REV.: |



THE INFORMATION CONTAINED WITHIN THIS DOCUMENT IS PROPRIETARY TO AAA PRODUCTS AND MAY NOT BE DISCLOSED WITHOUT PRIOR WRITTEN CONSENT

D:\Engineering\product\Valve Assembly\Palm\KD3DR.dwg