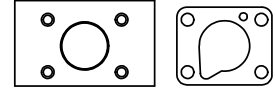
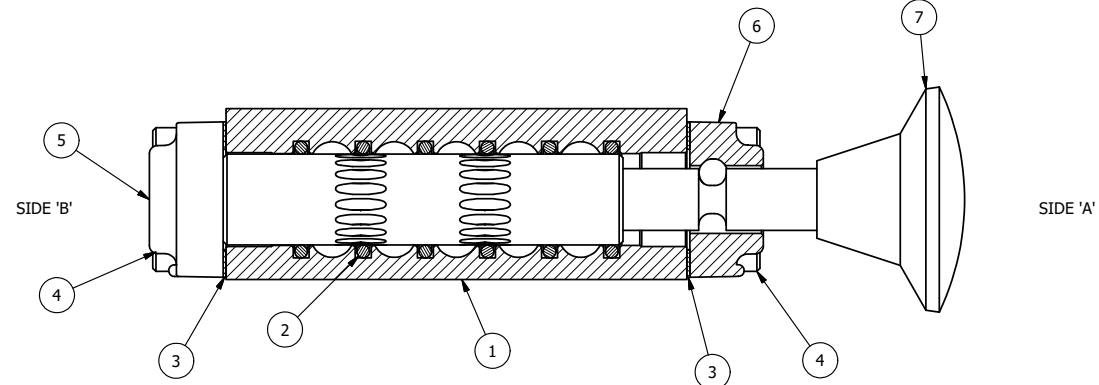


AAA PRODUCTS INT'L
ZKA2LO
XX
WWW.AAAPRODUCTS.COM

MARK VALVE USING 1/8" LETTERS
WHERE XX IS THE DATE CODE



POSITION GASKET ON END OF VALVE SO
MOUNTING HOLES ALIGN,
BOTH ENDS (SIDE 'A' SHOWN)

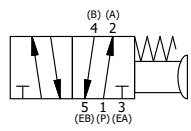


SECTION A-A
SCALE 1 : 1
VIEW FROM 3 PORT SIDE

NOTES:
1) ALWAYS GIVE VALVE MODEL AND PART NUMBER WHEN ORDERING PARTS.

| FLG | QTY | PART NO | DESCRIPTION |
|-----|-----|-------------|--|
| 7 | 1 | V-71 | KNOB, BLACK, PALM, (BRASS 5/16-18 INSERT), 1-13/16 DIA X 1-3/8 HEIGHT |
| 6 | 1 | PEC3-10LO | END CAP, PALM, LOCK OUT, STAINLESS STEEL, 1/4" & 3/8" VALVE |
| 5 | 1 | AY-KA3LO-SA | ASSY - LOCKOUT A, RTRN TO POS A, PALM STUD, 5/16-18 UNC, SS W/AL SPL, 1/4 & 3/8 VALVES |
| 4 | 8 | V-38-SS | SCREW, 10-24 X 3/4, SOCKET HEAD CAP, 18-8 SS |
| 3 | 2 | ECG3 | GASKET - END CAP, 1/4" & 3/8" VALVE |
| 2 | 6 | V-39 | O-RING, VITON, STD BODY, 1/4" & 3/8" VALVES |
| 1 | 1 | ZB2-2 | BODY - BRASS, NO PILOTS, 1/4" SIDE PORT VALVE |

| | | | | |
|--|--|--|---------------------|--|
| LIMITS ON DIMENSIONS UNLESS OTHERWISE SPECIFIED | | 2-PL DECIMAL ± .01 3-PL DECIMAL ± .005 FRACTIONAL ± 1/64 ANGULAR ± 1/2° | | AAA PRODUCTS INTERNATIONAL 7114 Harry Hines Blvd Dallas, TX 75235 |
| DRAWN: RMckenna | | DATE: 9/8/2016 | | |
| SCALE: 1 : 1 | | SHEET: 1 OF 1 | | RELEASED: HWomack |
| TITLE: 1/4" SIDE PORT, PALM, 2 POS, RVRS SPR RTRN, BRASS & STAINLESS, LOCKOUT A | | | PART NO.: ZKA2LO | REV.: |



THE INFORMATION CONTAINED WITHIN THIS DOCUMENT IS PROPRIETARY TO AAA PRODUCTS AND MAY NOT BE DISCLOSED WITHOUT PRIOR WRITTEN CONSENT

P:\Engineering\product\Valves\Assembly\Palm\KAKA\G/ZKA2LO.dwg