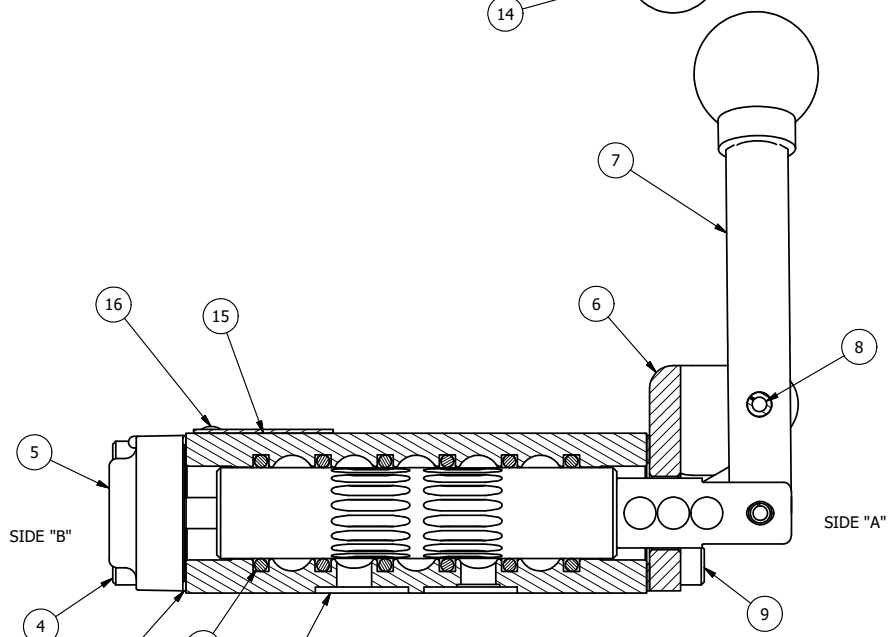
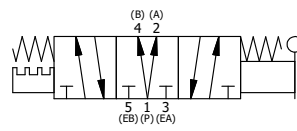


POSITION GASKET ON END OF VALVE SO MOUNTING HOLES ALIGN BOTH ENDS (SIDE 'B' SHOWN)



SECTION A-A  
SCALE 1 : 1  
VIEW FROM 3 PORT SIDE



NOTES:  
1) ALWAYS GIVE VALVE MODEL, AND PART NUMBER WHEN ORDERING PARTS.

|     |     |           |  |
|-----|-----|-----------|--|
| 17  | 1   | NSPK-2    | KIT - SUBPLATE MOUNTING, NAMUR VALVES  |
| 16  | 2   | V-212     | SCREW, #2 X 3/16 DRIVE, TYPE U, OVAL HEAD, STAINLESS STEEL                     |
| 15  | 1   | AN-114    | NAMEPLATE, BLANK, FOR VALVES WITH SPRINGS OR DETENTS                           |
| 14  | 1   | V-175     | KNOB, BLACK, (BRASS 10-32 INSERT), 3/4 DIA BALL, PIN LOCK                      |
| 13  | 1   | V-315-SS  | PIN, PIN LOCK, 303 STAINLESS, 1/4" & 3/8" VALVE                                |
| 12  | 1   | BBSS-1    | SPRING - BUTTON BLEEDER, STAINLESS STEEL, 1/8" NPTF                            |
| 11  | 1   | V-548     | O-RING, BUNA-N, 70 DURO, 6MM X 1MM, NAMUR PLUG                                 |
| 10  | 1   | V-547     | PLUG, 360 HALF HARD BRASS, NAMUR VALVE   |
| 9   | 4   | V-162     | SCREW, 10-24 X 5/8, SOCKET HEAD CAP  |
| 8   | 1   | V-508     | PIN, ROLL 3/16 X 5/8 ZINC PLATED STEEL FOR 1/4 FOOT ENDCAP                     |
| 7   | 1   | HL3-24B20 | HAND LEVER WITH KNOB, BENT 20 DEG SIDEWAYS, 1/4" & 3/8" VALVES                 |
| 6   | 1   | HE3-5PLL  | END CAP, LEVER, PIN LOCK, LEFT, 303 STAINLESS STEEL, 1/4" & 3/8" VALVE         |
| 5   | 1   | AY-HY3DE  | ASSY - SPR CTR, REGEN CTR SPL, LEVER OR TREADLE, PINLOCK ABC, 1/4 & 3/8 VALVES |
| 4   | 4   | V-38      | SCREW, 10-24 X 3/4, SOCKET HEAD CAP  |
| 3   | 2   | ECG3      | GASKET - END CAP, 1/4" & 3/8" VALVE  |
| 2   | 6   | V-39      | O-RING, VITON, STD BODY, 1/4" & 3/8" VALVES                                    |
| 1   | 1   | B2-11E-W  | NAMUR INTERFACE, WITH 3/2 CONVERSION, 1/4" VALVE                               |
| FLG | QTY | PART NO   | DESCRIPTION  |

|  |  |  |  |  |
|--|--|--|--|--|
| LIMITS ON DIMENSIONS<br>UNLESS OTHERWISE SPECIFIED   |  | 2-PL DECIMAL ± .01<br>3-PL DECIMAL ± .005<br>FRACTIONAL ± 1/64<br>ANGULAR ± 1/2° |  | <b>AAA PRODUCTS INTERNATIONAL</b><br>7114 Harry Hines Blvd<br>Dallas, TX 75235 |
| DRAWN: RMckenna  |  | DATE: 1/29/2025  |  |  |
| SCALE: 1 : 1   |  | SHEET: 1 OF 1  |  | CHECKED: KWaite<br>DATE: 1/29/2025   |
| TITLE: 1/4" NAMUR, LEVER, 3 POS, SPR REGEN CTR, BNT LVR RT, PINLOCK ABC, HVY DTY   |  |  |  | PART NO.: NHY2DBREH  |
| THE INFORMATION CONTAINED WITHIN THIS DOCUMENT IS PROPRIETARY TO AAA PRODUCTS AND MAY NOT BE DISCLOSED WITHOUT PRIOR WRITTEN CONSENT |  |  |  | REV.:  |

P:\Engineering\Products\Valves\Assembly\Level\HYV\BNT\NHY2DBREH.dwg