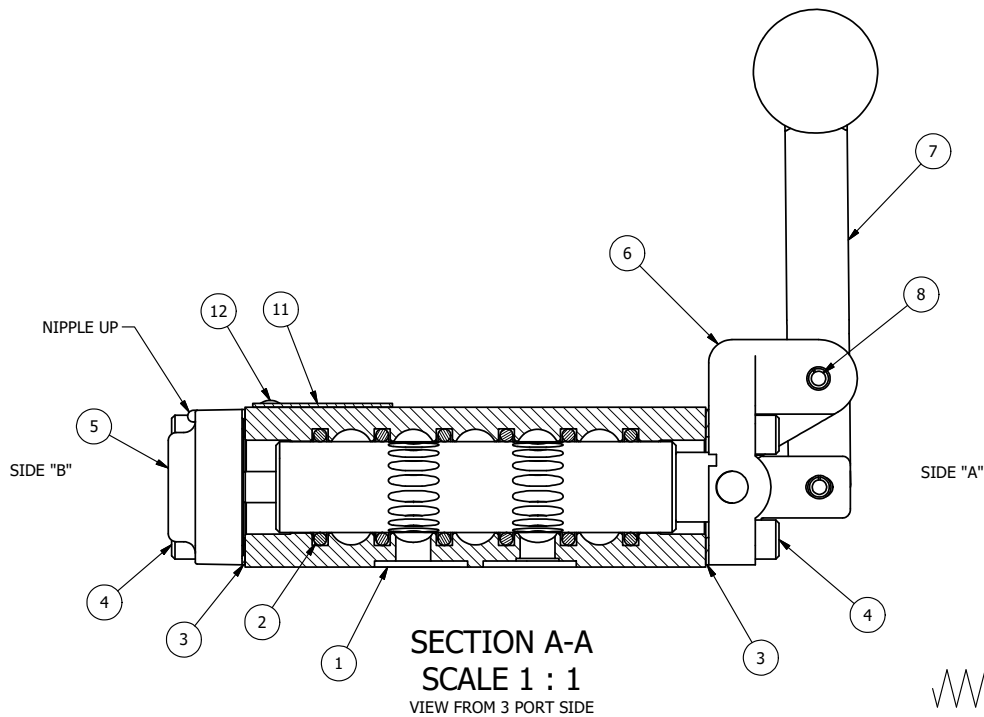


POSITION GASKET TO SEAL PILOT HOLE BOTH SIDES. (SIDE 'A' SHOWN)

NOTES:

1) ALWAYS GIVE VALVE MODEL, AND PART NUMBER WHEN ORDERING PARTS.



| FLG | QTY | PART NO    | DESCRIPTION  |
|-----|-----|------------|--|
| 13  | 1   | NSPK-2     | KIT - SUBPLATE MOUNTING, NAMUR VALVES  |
| 12  | 2   | V-212      | SCREW, #2 X 3/16 DRIVE, TYPE U, OVAL HEAD, STAINLESS STEEL                   |
| 11  | 1   | AN-114     | NAMEPLATE, BLANK, FOR VALVES WITH SPRINGS OR DETENTS                         |
| 10  | 1   | V-548      | O-RING, BUNA-N, 70 DURO, 6MM X 1MM, NAMUR PLUG                               |
| 9   | 1   | V-547      | PLUG, 360 HALF HARD BRASS, NAMUR VALVE                                       |
| 8   | 1   | V-7        | PIN, ROLL 3/16 X 11/16, STEEL, FOR 1/4 THRU 1/2" HAND, FT & CAM V            |
| 7   | 1   | HL3-521B20 | HAND LEVER WITH RED KNOB, BENT 20 DEG SIDEWAYS, 1/4" & 3/8" VALVES           |
| 6   | 1   | HE3-1LO    | END CAP, LEVER, LOCK OUT, 380 AL, 1/4" & 3/8" VALVE                          |
| 5   | 1   | AY-HY3LOB  | ASSY - SPR CTR, CLSD CTR SPL, LEVER OR TREADLE, LOCKOUT 'B' 1/4 & 3/8 VALVES |
| 4   | 8   | V-38       | SCREW, 10-24 X 3/4, SOCKET HEAD CAP  |
| 3   | 2   | ECG3       | GASKET - END CAP, 1/4" & 3/8" VALVE  |
| 2   | 6   | V-39       | O-RING, VITON, STD BODY, 1/4" & 3/8" VALVES                                  |
| 1   | 1   | B2-11E-W   | NAMUR INTERFACE, WITH 3/2 CONVERSION, 1/4" VALVE                             |

|   |                 |  |                     |  |
|---|-----------------|--|---------------------|--|
| LIMITS ON DIMENSIONS UNLESS OTHERWISE SPECIFIED                                 |                 | 2-PL DECIMAL ± .01<br>3-PL DECIMAL ± .005<br>FRACTIONAL ± 1/64<br>ANGULAR ± 1/2° |                     | <b>AAA PRODUCTS INTERNATIONAL</b><br>7114 Harry Hines Blvd<br>Dallas, TX 75235 |
| DRAWN: RMckenna   | DATE: 1/26/2025 | CHECKED: KWaite  | DATE: 1/26/2025     |  |
| SCALE: 1 : 1  | SHEET: 1 OF 1   | RELEASED: HWomack  | DATE: 1/26/2025     |  |
| TITLE: 1/4" NAMUR, LEVER, 3 POS, SPR CLSD CTR, BNT LVR LFT, RED KNOB, LOCKOUT B |                 |  | PART NO.: NHY2BLJLO | REV.:  |

THE INFORMATION CONTAINED WITHIN THIS DOCUMENT IS PROPRIETARY TO AAA PRODUCTS AND MAY NOT BE DISCLOSED WITHOUT PRIOR WRITTEN CONSENT

D:\Engineering\Products\Valves\Assembly\Level\HY2\NHY2BLJLO.dwg