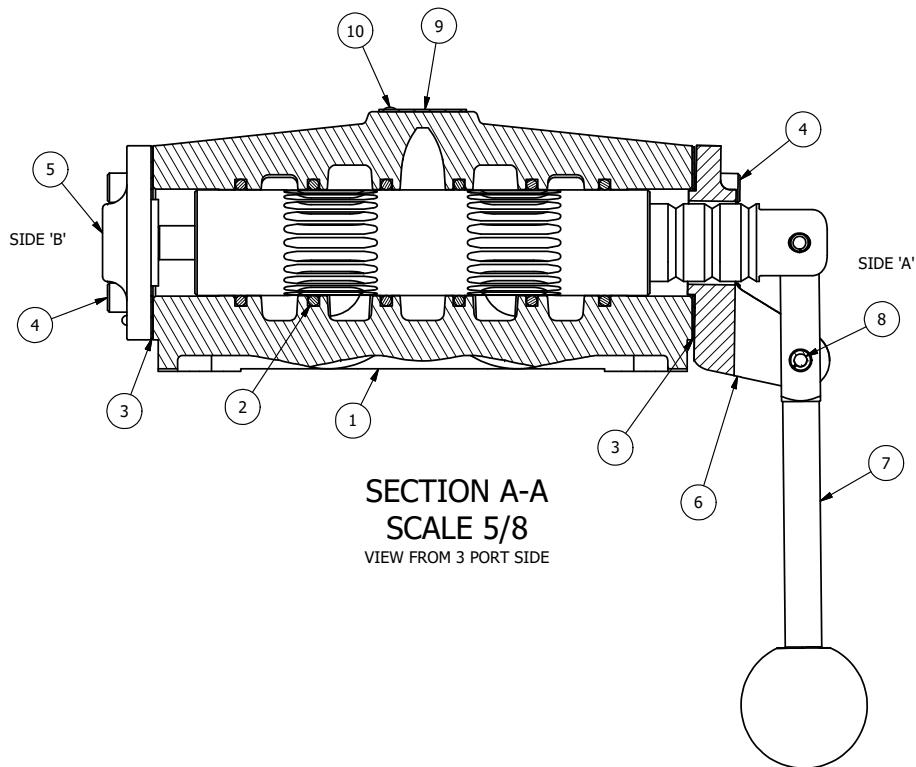


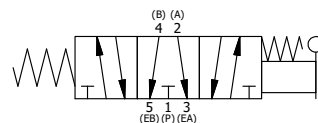
POSITION GASKET ON END OF VALVE SO  
GASKET COVERS PILOT HOLE  
BOTH SIDES (SIDE 'A' SHOWN)

NOTES:  
1) ALWAYS GIVE VALVE MODEL AND PART NUMBER WHEN ORDERING PARTS.



FLG	QTY	PART NO	DESCRIPTION
10	2	V-212	SCREW, #2 X 3/16 DRIVE, TYPE U, OVAL HEAD, STAINLESS STEEL
9	1	AN-114	NAMEPLATE, BLANK, FOR VALVES WITH SPRINGS OR DETENTS
8	1	V-70	PIN, ROLL 1/4 X 1 1/8 FOR 3/4 & 1" HAND AND FOOT VALVES
7	1	HL8-9	HAND LEVER ASSEMBLY, 3/4" & 1" VALVE
6	1	FE8	END CAP, HAND & FOOT, STEEL, NICKEL PLATE, 3/4" & 1" VALVES
5	1	AY-HY8G	ASSY - SPR CTR, FLOAT CTR SPL, LEVER OR TREDAL, 3/4" & 1" VALVE
4	8	V-46	SCREW, 1/4-20 X 3/4, SOCKET HEAD CAP
3	2	ECG48	GASKET - END CAP, 1/2", 3/4" & 1" VALVE
2	6	V-30	O-RING, BUNA-N, 70 DURO, AS-220, (REF 1-3/8 X 1-5/8 X 1/8), 3/4" & 1" VALVES
1	1	B6-1	BODY, 3/4" SIDE PORT, UPPER PILOTS, ANODIZED

LIMITS ON DIMENSIONS UNLESS OTHERWISE SPECIFIED		2-PL DECIMAL ± .01 3-PL DECIMAL ± .005 FRACTIONAL ± 1/64 ANGULAR ± 1/2°		<b>AAA PRODUCTS INTERNATIONAL</b> 7114 Harry Hines Blvd Dallas, TX 75235
DRAWN: RMckenna	DATE: 9/16/2015	CHECKED: KWaite	DATE: 9/16/2015	
SCALE: 3/4	SHEET: 1 OF 1	RELEASED: HWomack	DATE: 9/16/2015	
TITLE: 3/4" SIDE PORT, LEVER, 3 POS, SPR CTR, LEVER SHFT, FLOAT CTR SPL, 180D LEVER			PART NO.: HY6GT	REV.:



THE INFORMATION CONTAINED WITHIN THIS DOCUMENT IS PROPRIETARY TO AAA PRODUCTS AND MAY NOT BE DISCLOSED WITHOUT PRIOR WRITTEN CONSENT

P:\Engineering\product\Valve Assembly\HY6GT.dwg