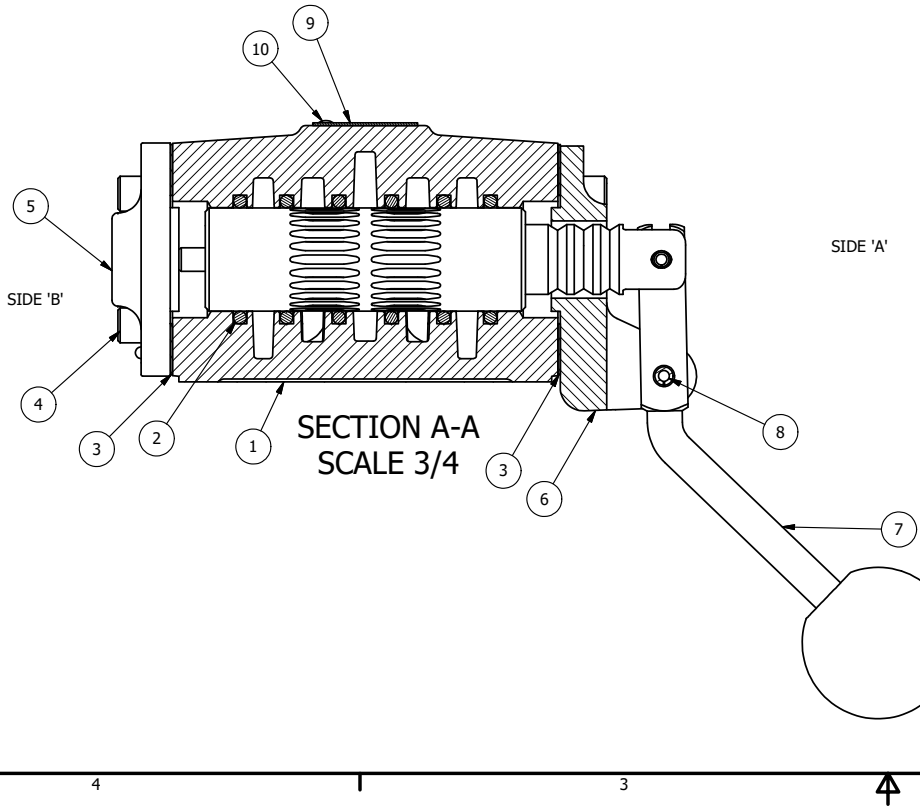


POSITION GASKET ON END OF VALVE SO GASKET COVERS PILOT HOLE BOTH SIDES (SIDE 'A' SHOWN)

NOTES:  
1) ALWAYS GIVE VALVE MODEL AND PART NUMBER WHEN ORDERING PARTS.



| FLG | QTY | PART NO | DESCRIPTION  |
|-----|-----|---------|--|
| 10  | 2   | V-212   | SCREW, #2 X 3/16 DRIVE, TYPE U, OVAL HEAD, STAINLESS STEEL                           |
| 9   | 1   | AN-114  | NAMEPLATE, BLANK, FOR VALVES WITH SPRINGS OR DETENTS                                 |
| 8   | 1   | V-10    | PIN, ROLL 3/16 X 7/8, STEEL  |
| 7   | 1   | HL4-9C  | HAND LEVER ASSEMBLY, CURVED LEVER, 1/2" VALVE  |
| 6   | 1   | FE4-1   | END CAP - HAND & FOOT, 380 AL, 1/2" VALVE  |
| 5   | 1   | AY-HY4D | ASSY - SPR CTR, REGEN CTR SPL, LEVER OR TREADLE, DETENT ABC, 1/2" VALVE              |
| 4   | 8   | V-46    | SCREW, 1/4-20 X 3/4, SOCKET HEAD CAP   |
| 3   | 2   | ECG48   | GASKET - END CAP, 1/2", 3/4" & 1" VALVE  |
| 2   | 6   | V-6     | O-RING, BUNA-N, 70 DURO, AS-216, (REF 1-1/8 X 1-3/8 X 1/8), 1/2" VALVES, 1" SUBPLATE |
| 1   | 1   | B4-1    | BODY, 1/2" SIDE PORT, UPPER PILOTS, ANODIZED   |

|  |                 |  |                            |  |
|--|-----------------|--|----------------------------|--|
| LIMITS ON DIMENSIONS UNLESS OTHERWISE SPECIFIED  |                 | 2-PL DECIMAL ± .01<br>3-PL DECIMAL ± .005<br>FRACTIONAL ± 1/64<br>ANGULAR ± 1/2° |                            | <b>AAA PRODUCTS INTERNATIONAL</b><br>7114 Harry Hines Blvd<br>Dallas, TX 75235 |
| DRAWN: RMckenna  | DATE: 1/29/2025 | CHECKED: KWaite  | DATE: 1/29/2025            |  |
| SCALE: 3/4   | SHEET: 1 OF 1   | RELEASED: HWomack  | DATE: 1/29/2025            |  |
| TITLE:<br><b>1/2" SIDE PORT, LEVER, 3 POS,<br/>SPR REGEN CTR,<br/>CURVED LVR, 180D LVR</b> |                 |  | PART NO.:<br><b>HY4DCT</b> | REV.:  |

THE INFORMATION CONTAINED WITHIN THIS DOCUMENT IS PROPRIETARY TO AAA PRODUCTS AND MAY NOT BE DISCLOSED WITHOUT PRIOR WRITTEN CONSENT

D:\Engineering\Products\Valves\Assembly\lever\HY4\HY4DCT.dwg