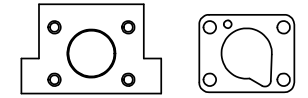
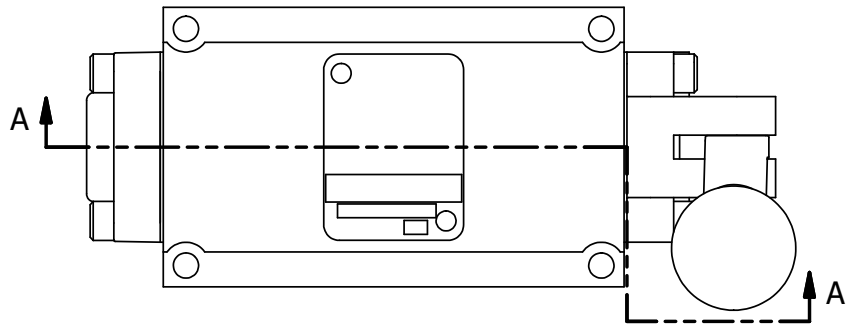
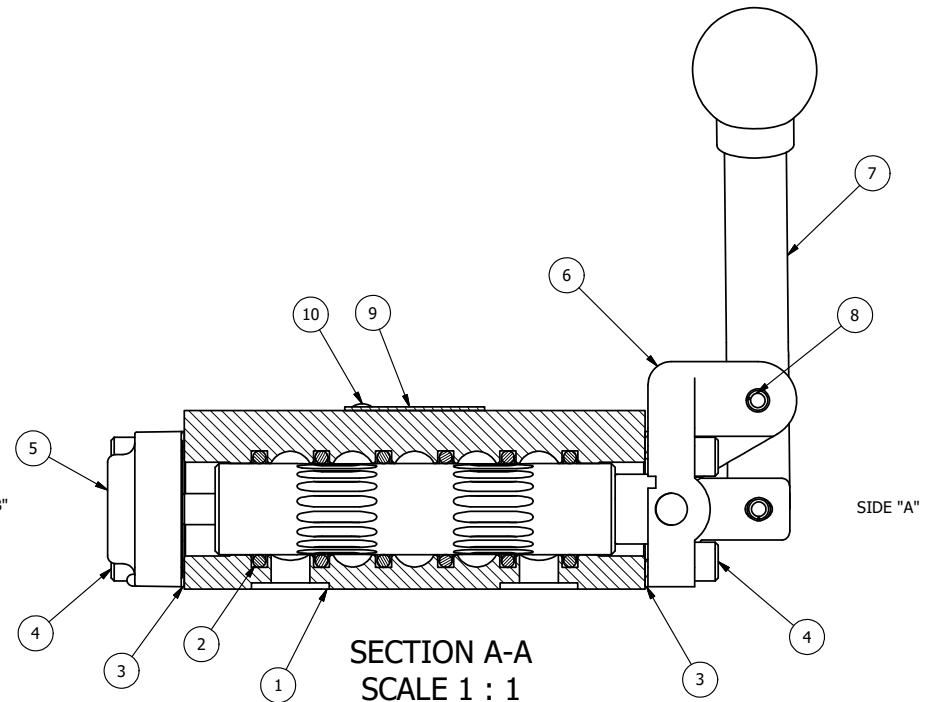


4 | 3 | 2 | 1



POSITION GASKET ON END OF VALVE SO MOUNTING HOLES ALIGN BOTH ENDS (SIDE 'A' SHOWN)

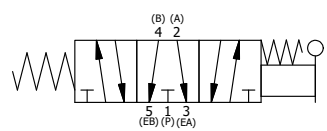
NOTES:  
1) ALWAYS GIVE VALVE MODEL, AND PART NUMBER WHEN ORDERING PARTS.



**SECTION A-A**  
SCALE 1 : 1  
VIEW FROM 3 PORT SIDE

| FLG | QTY | PART NO    | DESCRIPTION  |
|-----|-----|------------|--|
| 11  | 1   | SPK-3      | KIT - SUBPLATE MOUNTING, 3/8" SUBPLATE VALVES                                    |
| 10  | 2   | V-212      | SCREW, #2 X 3/16 DRIVE, TYPE U, OVAL HEAD, STAINLESS STEEL                       |
| 9   | 1   | AN-114     | NAMEPLATE, BLANK, FOR VALVES WITH SPRINGS OR DETENTS                             |
| 8   | 1   | V-7        | PIN, ROLL 3/16 X 11/16, STEEL, FOR 1/4 THRU 1/2" HAND, FT & CAM V                |
| 7   | 1   | HL3-24B20  | HAND LEVER WITH KNOB, BENT 20 DEG SIDEWAYS, 1/4" & 3/8" VALVES                   |
| 6   | 1   | HE3-1LO    | END CAP, LEVER, LOCK OUT, 380 AL, 1/4" & 3/8" VALVE                              |
| 5   | 1   | AY-HY3GLOB | ASSY - SPR CTR, FLOAT CTR SPL, LEVER OR TREADLE, LOCKOUT 'B', 1/4" & 3/8" VALVES |
| 4   | 8   | V-38       | SCREW, 10-24 X 3/4, SOCKET HEAD CAP  |
| 3   | 2   | ECG3       | GASKET - END CAP, 1/4" & 3/8" VALVE  |
| 2   | 6   | V-39       | O-RING, VITON, STD BODY, 1/4" & 3/8" VALVES                                      |
| 1   | 1   | BP3-2E     | BODY - SOLID, PLAIN, NO PILOTS, ANODIZED, 3/8" SUBPLATE VALVE                    |

|  |                 |  |                        |  |
|--|-----------------|--|------------------------|--|
| LIMITS ON DIMENSIONS<br>UNLESS OTHERWISE SPECIFIED   |                 | 2-PL DECIMAL ± .01<br>3-PL DECIMAL ± .005<br>FRACTIONAL ± 1/64<br>ANGULAR ± 1/2° |                        | <b>AAA PRODUCTS INTERNATIONAL</b><br>7114 Harry Hines Blvd<br>Dallas, TX 75235 |
| DRAWN: RMckenna  | DATE: 1/29/2025 | CHECKED: KWaite  | DATE: 1/29/2025        |  |
| SCALE: 1 : 1   | SHEET: 1 OF 1   | RELEASED: HWomack  | DATE: 1/29/2025        |  |
| TITLE:<br>3/8" SUBPLATE, LEVER, 3 POS,<br>SPR CTR, LEVER SHFT, FLOAT CTR SPL,<br>BENT LVR LFT, LOCKOUT B |                 |  | PART NO.:<br>HY3PGBLLO | REV.:  |



4 | 3 | 2 | 1

THE INFORMATION CONTAINED WITHIN THIS DOCUMENT IS PROPRIETARY TO AAA PRODUCTS AND MAY NOT BE DISCLOSED WITHOUT PRIOR WRITTEN CONSENT

D:\Engineering\Products\Valves\Assembly\Level\HY3\HY3PGBLLO.dwg