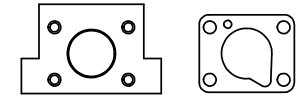
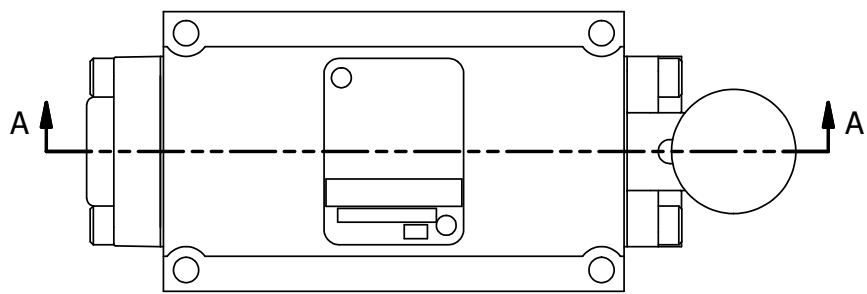
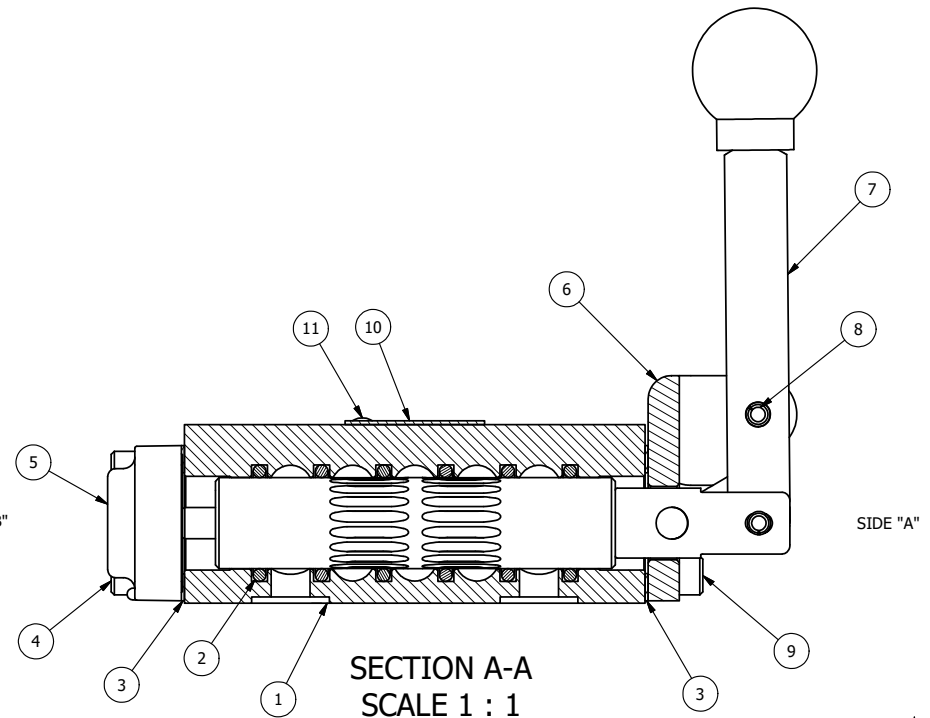


4 | 3 | 2 | 1



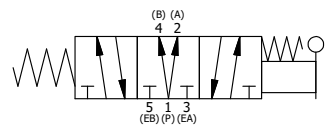
POSITION GASKET ON END OF VALVE SO MOUNTING HOLES ALIGN BOTH ENDS (SIDE 'A' SHOWN)

- NOTES:
 1) ALWAYS GIVE VALVE MODEL, AND PART NUMBER WHEN ORDERING PARTS.
 2) USE MASTER LOCK #7LJKAP176 (ORDERED SEPERATELY, #7LJ KEYED ALIKE - KAP176).
 3) FOR MULTIPLE LOCKS, USE LOCKOUT HASP LO23 (ORDERED SEPERATELY).



SECTION A-A
SCALE 1 : 1
 VIEW FROM 3 PORT SIDE

QTY	PART NO	DESCRIPTION	
12	1	SPK-3 KIT - SUBPLATE MOUNTING, 3/8" SUBPLATE VALVES	
11	2	V-212 SCREW, #2 X 3/16 DRIVE, TYPE U, OVAL HEAD, STAINLESS STEEL	
10	1	AN-114 NAMEPLATE, BLANK, FOR VALVES WITH SPRINGS OR DETENTS	
9	4	V-162 SCREW, 10-24 X 5/8, SOCKET HEAD CAP	
8	1	V-508 PIN, ROLL 3/16 X 5/8 ZINC PLATED STEEL FOR 1/4 FOOT ENDCAP	
7	1	HL3-24 HAND LEVER WITH KNOB, 1/4" & 3/8" VALVE	
6	1	HE3-5LO END CAP, LEVER, 303 STAINLESS, LOCKOUT, 1/4" & 3/8" VALVES	
5	1	AY-HY3DLOB ASSY - SPR CTR, REGEN CTR SPL, LEVER OR TREADLE, LOCKOUT 'B' 1/4 & 3/8 VALVES	
4	4	V-38 SCREW, 10-24 X 3/4, SOCKET HEAD CAP	
3	2	ECG3 GASKET - END CAP, 1/4" & 3/8" VALVE	
2	6	V-39 O-RING, VITON, STD BODY, 1/4" & 3/8" VALVES	
1	1	BP3-2E BODY - SOLID, PLAIN, NO PILOTS, ANODIZED, 3/8" SUBPLATE VALVE	
FLG	QTY	PART NO	DESCRIPTION



LIMITS ON DIMENSIONS UNLESS OTHERWISE SPECIFIED		2-PL DECIMAL ± .01 3-PL DECIMAL ± .005 FRACTIONAL ± 1/64 ANGULAR ± 1/2°		AAA PRODUCTS INTERNATIONAL 7114 Harry Hines Blvd Dallas, TX 75235
DRAWN: RMckenna	DATE: 1/29/2025	CHECKED: KWaite	DATE: 1/29/2025	
SCALE: 1 : 1	SHEET: 1 OF 1	RELEASED: HWomack	DATE: 1/29/2025	
TITLE: 3/8" SUBPLATE, LEVER, 3 POS, SPR REGEN CTR, HVY DTY, LOCKOUT B			PART NO.: HY3PDHLO	REV.:

THE INFORMATION CONTAINED WITHIN THIS DOCUMENT IS PROPRIETARY TO AAA PRODUCTS AND MAY NOT BE DISCLOSED WITHOUT PRIOR WRITTEN CONSENT

4 | 3 | 2 | 1

P:\Engineering\Products\Valves\Assembly\HY3\HY3PDHLO.dwg