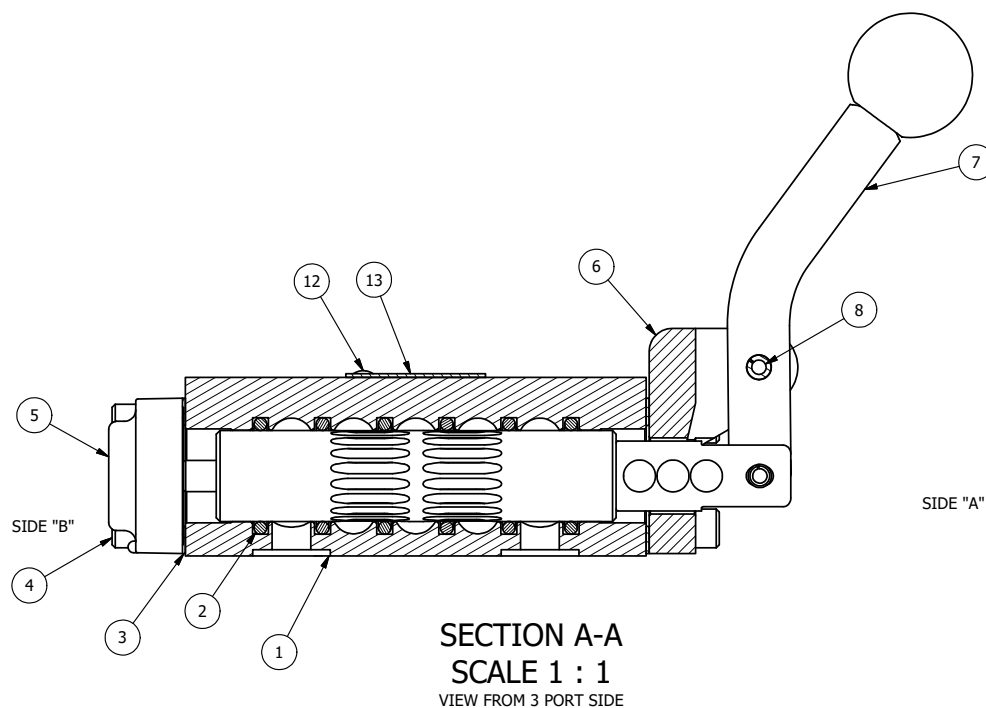


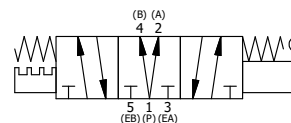
POSITION GASKET ON END OF VALVE SO MOUNTING HOLES ALIGN BOTH ENDS (SIDE 'B' SHOWN)

NOTES:  
1) ALWAYS GIVE VALVE MODEL, AND PART NUMBER WHEN ORDERING PARTS.

|     |     |          |  |
|-----|-----|----------|--|
| 14  | 1   | SPK-3    | KIT - SUBPLATE MOUNTING, 3/8" SUBPLATE VALVES                                  |
| 13  | 1   | AN-114   | NAMEPLATE, BLANK, FOR VALVES WITH SPRINGS OR DETENTS                           |
| 12  | 2   | V-212    | SCREW, #2 X 3/16 DRIVE, TYPE U, OVAL HEAD, STAINLESS STEEL                     |
| 11  | 1   | V-175    | KNOB, BLACK, (BRASS 10-32 INSERT), 3/4 DIA BALL, PIN LOCK                      |
| 10  | 1   | V-315-SS | PIN, PIN LOCK, 303 STAINLESS, 1/4" & 3/8" VALVE                                |
| 9   | 1   | BBSS-1   | SPRING - BUTTON BLEEDER, STAINLESS STEEL, 1/8" NPTF                            |
| 8   | 1   | V-7      | PIN, ROLL 3/16 X 11/16, STEEL, FOR 1/4 THRU 1/2" HAND, FT & CAM V              |
| 7   | 1   | HL3-521C | CURVED HAND LEVER WITH RED KNOB, 1/4" & 3/8" VALVE                             |
| 6   | 1   | HE3-3PLL | END CAP, LEVER, PIN LOCK, LEFT, 380 AL, 1/4" & 3/8" VALVE                      |
| 5   | 1   | AY-HY3DE | ASSY - SPR CTR, REGEN CTR SPL, LEVER OR TREADLE, PINLOCK ABC, 1/4 & 3/8 VALVES |
| 4   | 8   | V-38     | SCREW, 10-24 X 3/4, SOCKET HEAD CAP  |
| 3   | 2   | ECG3     | GASKET - END CAP, 1/4" & 3/8" VALVE  |
| 2   | 6   | V-39     | O-RING, VITON, STD BODY, 1/4" & 3/8" VALVES                                    |
| 1   | 1   | BP3-2E   | BODY - SOLID, PLAIN, NO PILOTS, ANODIZED, 3/8" SUBPLATE VALVE                  |
| FLG | QTY | PART NO  | DESCRIPTION  |



SECTION A-A  
SCALE 1 : 1  
VIEW FROM 3 PORT SIDE



|   |                 |  |  |
|---|-----------------|--|--|
| LIMITS ON DIMENSIONS UNLESS OTHERWISE SPECIFIED   |                 | 2-PL DECIMAL ± .01<br>3-PL DECIMAL ± .005<br>FRACTIONAL ± 1/64<br>ANGULAR ± 1/2° | <b>AAA PRODUCTS INTERNATIONAL</b><br>7114 Harry Hines Blvd<br>Dallas, TX 75235 |
| DRAWN: RMckenna   | DATE: 1/29/2025 | CHECKED: KWaite  |  |
| SCALE: 1 : 1  | SHEET: 1 OF 1   | RELEASED: HWomack  | DATE: 1/29/2025  |
| TITLE:<br>3/8" SUBPLATE, LEVER, 3 POS,<br>SPR REGEN CTR,<br>CURVED LVR, PINLOCK ABC, RED KNOB |                 |  | PART NO.:<br>HY3PDCEJ  |

THE INFORMATION CONTAINED WITHIN THIS DOCUMENT IS PROPRIETARY TO AAA PRODUCTS AND MAY NOT BE DISCLOSED WITHOUT PRIOR WRITTEN CONSENT

D:\Engineering\Products\Valves\Assembly\Levers\HY3PDCEJ.dwg