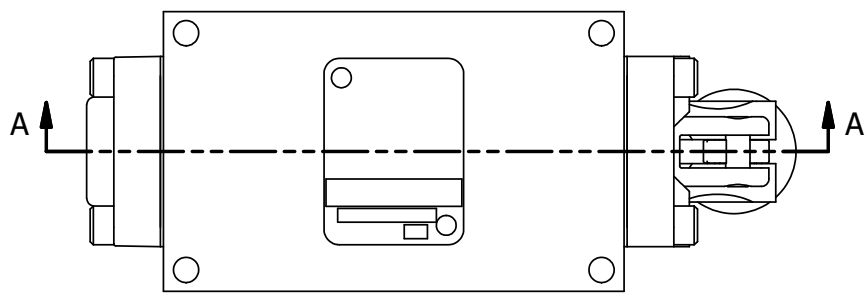
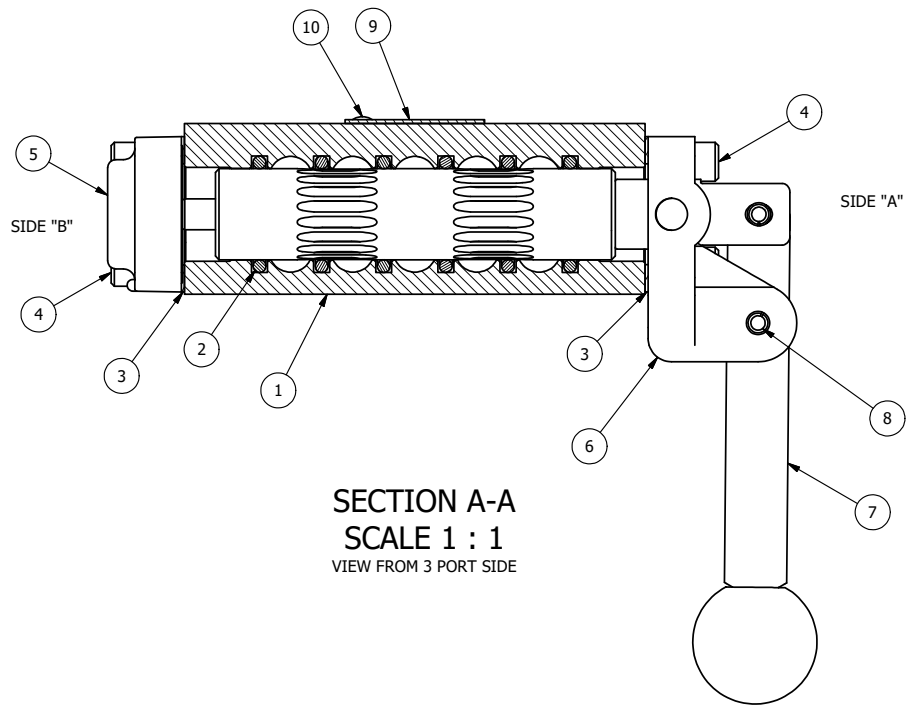


4 | 3 | 2 | 1



POSITION GASKET ON END OF VALVE SO MOUNTING HOLES ALIGN BOTH ENDS (SIDE 'B' SHOWN)

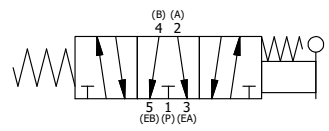


SECTION A-A  
SCALE 1 : 1  
VIEW FROM 3 PORT SIDE

NOTES:  
1) ALWAYS GIVE VALVE MODEL, AND PART NUMBER WHEN ORDERING PARTS.

| FLG | QTY | PART NO    | DESCRIPTION  |
|-----|-----|------------|--|
| 10  | 2   | V-212      | SCREW, #2 X 3/16 DRIVE, TYPE U, OVAL HEAD, STAINLESS STEEL                       |
| 9   | 1   | AN-114     | NAMEPLATE, BLANK, FOR VALVES WITH SPRINGS OR DETENTS                             |
| 8   | 1   | V-7        | PIN, ROLL 3/16 X 11/16, STEEL, FOR 1/4 THRU 1/2" HAND, FT & CAM V                |
| 7   | 1   | HL3-521    | HAND LEVER WITH RED KNOB, 1/4" & 3/8" VALVE                                      |
| 6   | 1   | HE3-1LO    | END CAP, LEVER, LOCK OUT, 380 AL, 1/4" & 3/8" VALVE                              |
| 5   | 1   | AY-HY3GLOB | ASSY - SPR CTR, FLOAT CTR SPL, LEVER OR TREADLE, LOCKOUT 'B', 1/4" & 3/8" VALVES |
| 4   | 8   | V-38       | SCREW, 10-24 X 3/4, SOCKET HEAD CAP  |
| 3   | 2   | ECG3       | GASKET - END CAP, 1/4" & 3/8" VALVE  |
| 2   | 6   | V-39       | O-RING, VITON, STD BODY, 1/4" & 3/8" VALVES                                      |
| 1   | 1   | B3-2E      | BODY - SOLID, PLAIN, NO PILOTS, ANODIZED, 3/8" SIDE PORT VALVE                   |

|   |                 |  |                              |  |
|---|-----------------|--|------------------------------|--|
| LIMITS ON DIMENSIONS<br>UNLESS OTHERWISE SPECIFIED  |                 | 2-PL DECIMAL ± .01<br>3-PL DECIMAL ± .005<br>FRACTIONAL ± 1/64<br>ANGULAR ± 1/2° |                              | <b>AAA PRODUCTS INTERNATIONAL</b><br>7114 Harry Hines Blvd<br>Dallas, TX 75235 |
| DRAWN: RMckenna   | DATE: 1/29/2025 | CHECKED: KWaite  | DATE: 1/29/2025              |  |
| SCALE: 1 : 1  | SHEET: 1 OF 1   | RELEASED: HWomack  | DATE: 1/29/2025              |  |
| TITLE:<br><b>3/8" SIDE PORT, LEVER, 3 POS,<br/>SPR FLOAT CTR,<br/>RED KNOB, LOCKOUT B, 180D LVR</b> |                 |  | PART NO.:<br><b>HY3GJLOT</b> | REV.:  |



4 | 3 | 2 | 1

THE INFORMATION CONTAINED WITHIN THIS DOCUMENT IS PROPRIETARY TO AAA PRODUCTS AND MAY NOT BE DISCLOSED WITHOUT PRIOR WRITTEN CONSENT

P:\Engineering\Products\Valves\Assembly\lever\HY3GJLOT.dwg