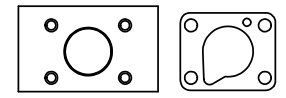
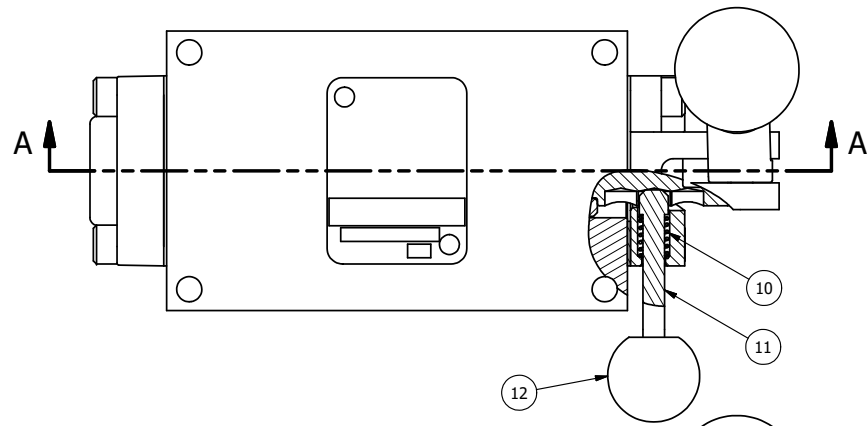


4 | 3 | 2 | 1



POSITION GASKET ON END OF VALVE SO MOUNTING HOLES ALIGN BOTH ENDS (SIDE 'B' SHOWN)

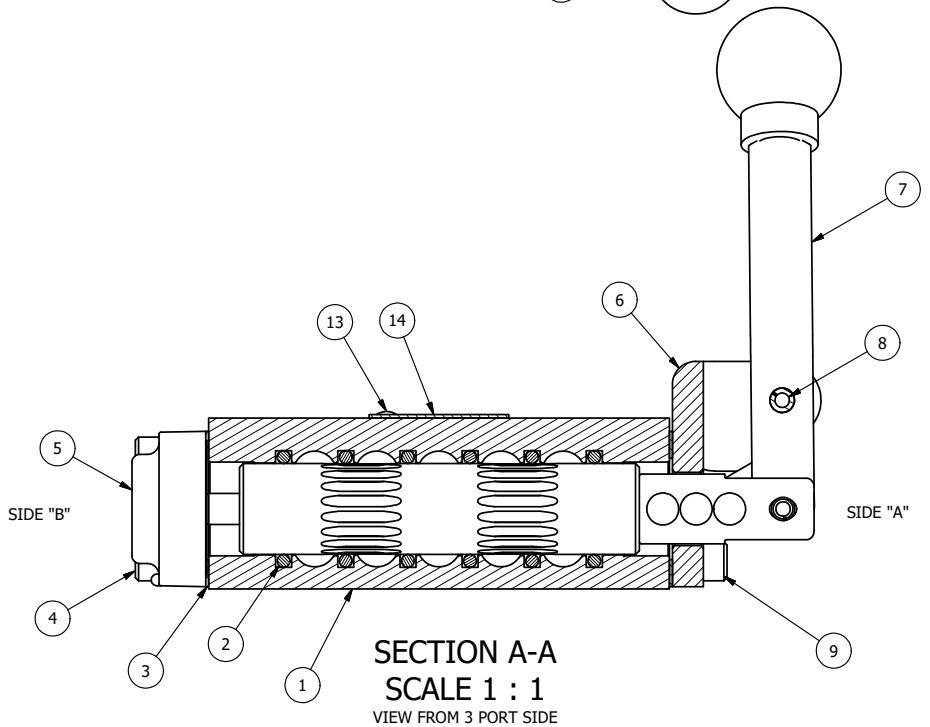
B

B

NOTES:  
1) ALWAYS GIVE VALVE MODEL, AND PART NUMBER WHEN ORDERING PARTS.

A

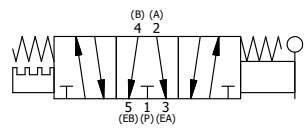
A



**SECTION A-A**  
SCALE 1 : 1  
VIEW FROM 3 PORT SIDE

|     |     |           |                                                                                |
|-----|-----|-----------|--------------------------------------------------------------------------------|
| 14  | 1   | AN-114    | NAMEPLATE, BLANK, FOR VALVES WITH SPRINGS OR DETENTS                           |
| 13  | 2   | V-212     | SCREW, #2 X 3/16 DRIVE, TYPE U, OVAL HEAD, STAINLESS STEEL                     |
| 12  | 1   | V-175     | KNOB, BLACK, (BRASS 10-32 INSERT), 3/4 DIA BALL, PIN LOCK                      |
| 11  | 1   | V-315-SS  | PIN, PIN LOCK, 303 STAINLESS, 1/4" & 3/8" VALVE                                |
| 10  | 1   | BBSS-1    | SPRING - BUTTON BLEEDER, STAINLESS STEEL, 1/8" NPTF                            |
| 9   | 4   | V-162     | SCREW, 10-24 X 5/8, SOCKET HEAD CAP                                            |
| 8   | 1   | V-508     | PIN, ROLL 3/16 X 5/8 ZINC PLATED STEEL FOR 1/4 FOOT ENDCAP                     |
| 7   | 1   | HL3-24B20 | HAND LEVER WITH KNOB, BENT 20 DEG SIDEWAYS, 1/4" & 3/8" VALVES                 |
| 6   | 1   | HE3-5PLL  | END CAP, LEVER, PIN LOCK, LEFT, 303 STAINLESS STEEL, 1/4" & 3/8" VALVE         |
| 5   | 1   | AY-HY3GE  | ASSY - SPR CTR, FLOAT CTR SPL, LEVER OR TREADLE, PINLOCK ABC, 1/4 & 3/8 VALVES |
| 4   | 4   | V-38      | SCREW, 10-24 X 3/4, SOCKET HEAD CAP                                            |
| 3   | 2   | ECG3      | GASKET - END CAP, 1/4" & 3/8" VALVE                                            |
| 2   | 6   | V-39      | O-RING, VITON, STD BODY, 1/4" & 3/8" VALVES                                    |
| 1   | 1   | B3-2E     | BODY - SOLID, PLAIN, NO PILOTS, ANODIZED, 3/8" SIDE PORT VALVE                 |
| FLG | QTY | PART NO   | DESCRIPTION                                                                    |

|                                                                                                        |                 |                                                                                  |                              |                                                                                         |
|--------------------------------------------------------------------------------------------------------|-----------------|----------------------------------------------------------------------------------|------------------------------|-----------------------------------------------------------------------------------------|
| LIMITS ON DIMENSIONS UNLESS OTHERWISE SPECIFIED                                                        |                 | 2-PL DECIMAL ± .01<br>3-PL DECIMAL ± .005<br>FRACTIONAL ± 1/64<br>ANGULAR ± 1/2° |                              | <p><b>AAA PRODUCTS INTERNATIONAL</b><br/>7114 Harry Hines Blvd<br/>Dallas, TX 75235</p> |
| DRAWN: RMckenna                                                                                        | DATE: 1/29/2025 | CHECKED: KWaite                                                                  | DATE: 1/29/2025              |                                                                                         |
| SCALE: 1 : 1                                                                                           | SHEET: 1 OF 1   | RELEASED: HWomack                                                                | DATE: 1/29/2025              |                                                                                         |
| TITLE:<br><b>3/8" SIDE PORT, LEVER, 3 POS,<br/>SPR FLOAT CTR,<br/>BNT LVR RT, PINLOCK ABC, HVY DTY</b> |                 |                                                                                  | PART NO.:<br><b>HY3GBREH</b> | REV.:                                                                                   |



4 | 3 | 2 | 1

THE INFORMATION CONTAINED WITHIN THIS DOCUMENT IS PROPRIETARY TO AAA PRODUCTS AND MAY NOT BE DISCLOSED WITHOUT PRIOR WRITTEN CONSENT

D:\Engineering\Products\Valves\Assembly\Level\HY3\HY3GBREH.dwg