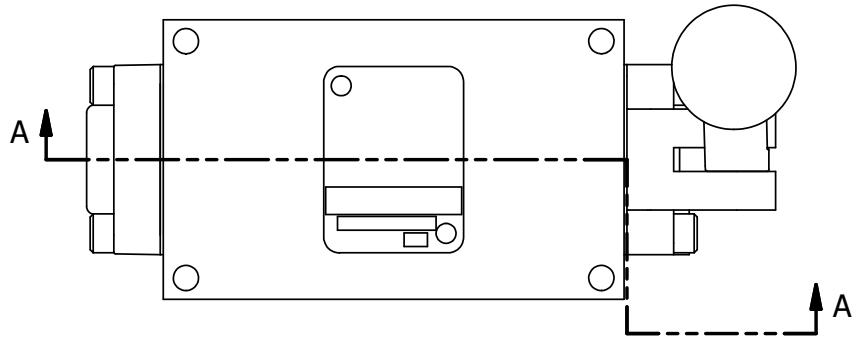
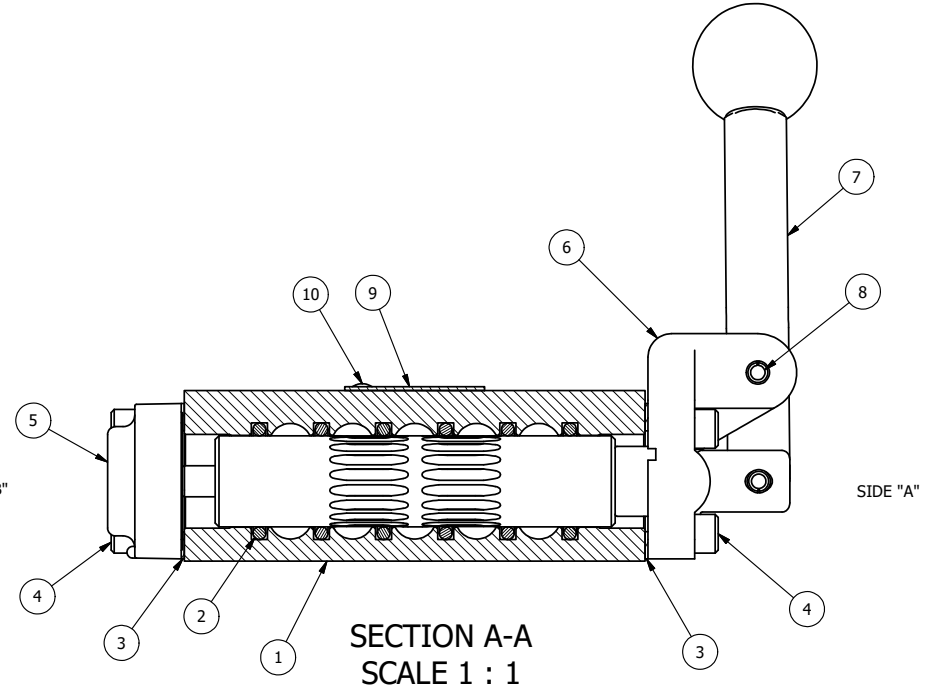


4 | 3 | 2 | 1



POSITION GASKET ON END OF VALVE SO MOUNTING HOLES ALIGN BOTH ENDS (SIDE 'B' SHOWN)

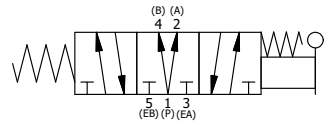
NOTES:  
1) ALWAYS GIVE VALVE MODEL, AND PART NUMBER WHEN ORDERING PARTS.



**SECTION A-A**  
**SCALE 1 : 1**  
VIEW FROM 3 PORT SIDE

| FLG | QTY | PART NO    | DESCRIPTION  |
|-----|-----|------------|--|
| 10  | 2   | V-212      | SCREW, #2 X 3/16 DRIVE, TYPE U, OVAL HEAD, STAINLESS STEEL         |
| 9   | 1   | AN-114     | NAMEPLATE, BLANK, FOR VALVES WITH SPRINGS OR DETENTS               |
| 8   | 1   | V-7        | PIN, ROLL 3/16 X 11/16, STEEL, FOR 1/4 THRU 1/2" HAND, FT & CAM V  |
| 7   | 1   | HL3-521B20 | HAND LEVER WITH RED KNOB, BENT 20 DEG SIDEWAYS, 1/4" & 3/8" VALVES |
| 6   | 1   | HE3-1      | END CAP, LEVER, 380 AL, 1/4" & 3/8" VALVE                          |
| 5   | 1   | AY-HY3D    | ASSY - SPR CTR, REGEN CTR SPL, LEVER OR TREADLE, 1/4 & 3/8 VALVES  |
| 4   | 8   | V-38       | SCREW, 10-24 X 3/4, SOCKET HEAD CAP                                |
| 3   | 2   | ECG3       | GASKET - END CAP, 1/4" & 3/8" VALVE                                |
| 2   | 6   | V-39       | O-RING, VITON, STD BODY, 1/4" & 3/8" VALVES                        |
| 1   | 1   | B3-2E      | BODY - SOLID, PLAIN, NO PILOTS, ANODIZED, 3/8" SIDE PORT VALVE     |

|   |                 |  |                             |  |
|---|-----------------|--|-----------------------------|--|
| LIMITS ON DIMENSIONS<br>UNLESS OTHERWISE SPECIFIED  |                 | 2-PL DECIMAL ± .01<br>3-PL DECIMAL ± .005<br>FRACTIONAL ± 1/64<br>ANGULAR ± 1/2° |                             | <b>AAA PRODUCTS INTERNATIONAL</b><br>7114 Harry Hines Blvd<br>Dallas, TX 75235 |
| DRAWN: RMcKenna   | DATE: 1/29/2025 | CHECKED: KWaite  | DATE: 1/29/2025             |  |
| SCALE: 1 : 1  | SHEET: 1 OF 1   | RELEASED: HWomack  | DATE: 1/29/2025             |  |
| TITLE:<br><b>3/8" SIDE PORT, LEVER, 3 POS,<br/>SPR REGEN CTR,<br/>BENT LVR RT, RED KNOB</b> |                 |  | PART NO.:<br><b>HY3DBRJ</b> | REV.:  |



4 | 3 | 2 | 1

THE INFORMATION CONTAINED WITHIN THIS DOCUMENT IS PROPRIETARY TO AAA PRODUCTS AND MAY NOT BE DISCLOSED WITHOUT PRIOR WRITTEN CONSENT

D:\Engineering\Products\Valves\Assembly\lever\HY3DBRJ.dwg