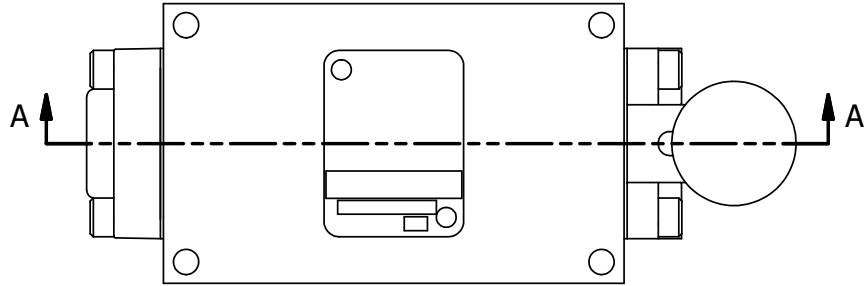
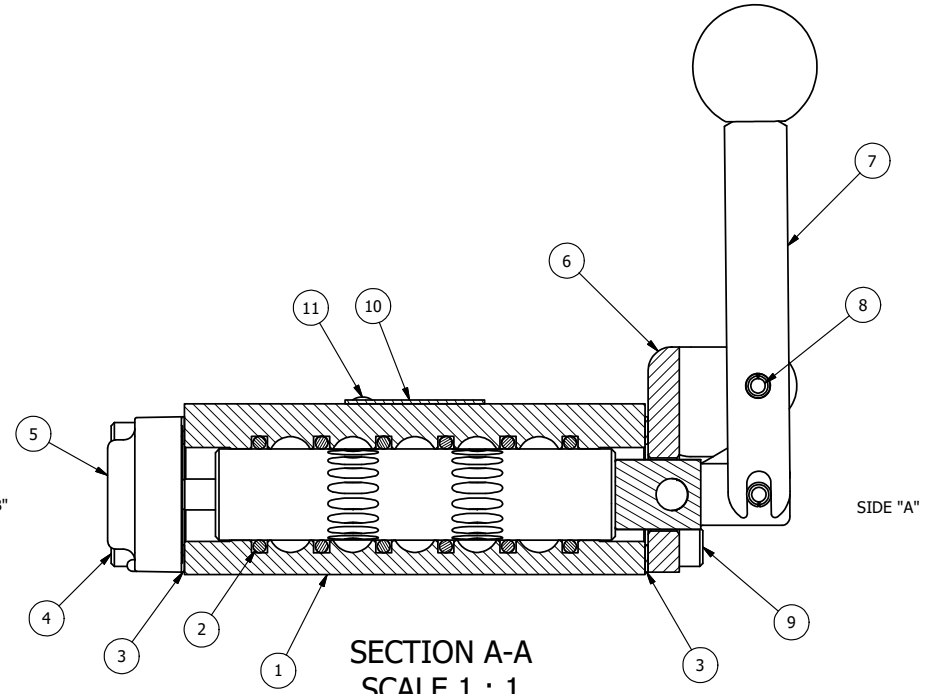


4 | 3 | 2 | 1



POSITION GASKET ON END OF VALVE SO MOUNTING HOLES ALIGN BOTH ENDS (SIDE 'B' SHOWN)

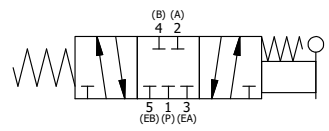
- NOTES:  
 1) ALWAYS GIVE VALVE MODEL, AND PART NUMBER WHEN ORDERING PARTS.  
 2) USE MASTER LOCK #7LJKAP176 (ORDERED SEPERATELY, #7LJ KEYPED ALIKE - KAP176).  
 3) FOR MULTIPLE LOCKS, USE LOCKOUT HASP LO23 (ORDERED SEPERATELY).



**SECTION A-A**  
**SCALE 1 : 1**  
 VIEW FROM 3 PORT SIDE

| FLG | QTY | PART NO   | DESCRIPTION  |
|-----|-----|-----------|--|
| 11  | 2   | V-212     | SCREW, #2 X 3/16 DRIVE, TYPE U, OVAL HEAD, STAINLESS STEEL                   |
| 10  | 1   | AN-114    | NAMEPLATE, BLANK, FOR VALVES WITH SPRINGS OR DETENTS                         |
| 9   | 4   | V-162     | SCREW, 10-24 X 5/8, SOCKET HEAD CAP  |
| 8   | 1   | V-508     | PIN, ROLL 3/16 X 5/8 ZINC PLATED STEEL FOR 1/4 FOOT ENDCAP                   |
| 7   | 1   | HL3-521   | HAND LEVER WITH RED KNOB, 1/4" & 3/8" VALVE                                  |
| 6   | 1   | HE3-5LO   | END CAP, LEVER, 303 STAINLESS, LOCKOUT, 1/4" & 3/8" VALVES                   |
| 5   | 1   | AY-HY3LOB | ASSY - SPR CTR, CLSD CTR SPL, LEVER OR TREADLE, LOCKOUT 'B' 1/4 & 3/8 VALVES |
| 4   | 4   | V-38      | SCREW, 10-24 X 3/4, SOCKET HEAD CAP  |
| 3   | 2   | ECG3      | GASKET - END CAP, 1/4" & 3/8" VALVE  |
| 2   | 6   | V-39      | O-RING, VITON, STD BODY, 1/4" & 3/8" VALVES                                  |
| 1   | 1   | B2-2E     | BODY - SOLID, PLAIN, NO PILOTS, ANODIZED, 1/4" SIDE PORT VALVE               |

|  |                 |  |                      |  |
|--|-----------------|--|----------------------|--|
| LIMITS ON DIMENSIONS<br>UNLESS OTHERWISE SPECIFIED                                       |                 | 2-PL DECIMAL ± .01<br>3-PL DECIMAL ± .005<br>FRACTIONAL ± 1/64<br>ANGULAR ± 1/2° |                      | <b>AAA PRODUCTS INTERNATIONAL</b><br>7114 Harry Hines Blvd<br>Dallas, TX 75235 |
| DRAWN: RMcKenna  | DATE: 1/27/2025 | CHECKED: KWaite  | DATE: 1/27/2025      |  |
| SCALE: 1 : 1   | SHEET: 1 OF 1   | RELEASED: HWomack  | DATE: 1/27/2025      |  |
| TITLE:<br>1/4" SIDE PORT, LEVER, 3 POS,<br>SPR CLSD CTR,<br>HVY DTY, RED KNOB, LOCKOUT B |                 |  | PART NO.:<br>HY2HJLO | REV.:  |



4 | 3 | 2 | 1

THE INFORMATION CONTAINED WITHIN THIS DOCUMENT IS PROPRIETARY TO AAA PRODUCTS AND MAY NOT BE DISCLOSED WITHOUT PRIOR WRITTEN CONSENT

P:\Engineering\Products\Valves\Assembly\lever\HY2HJLO.dwg