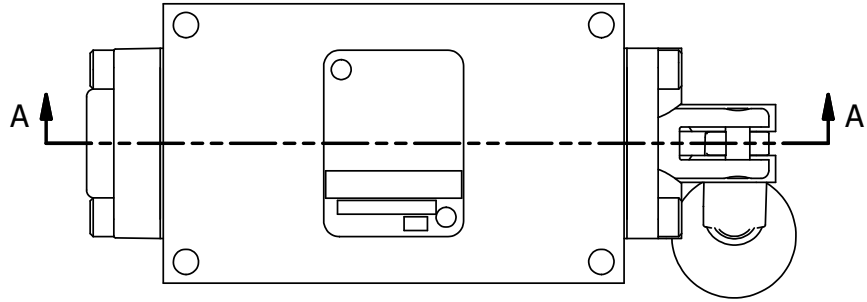
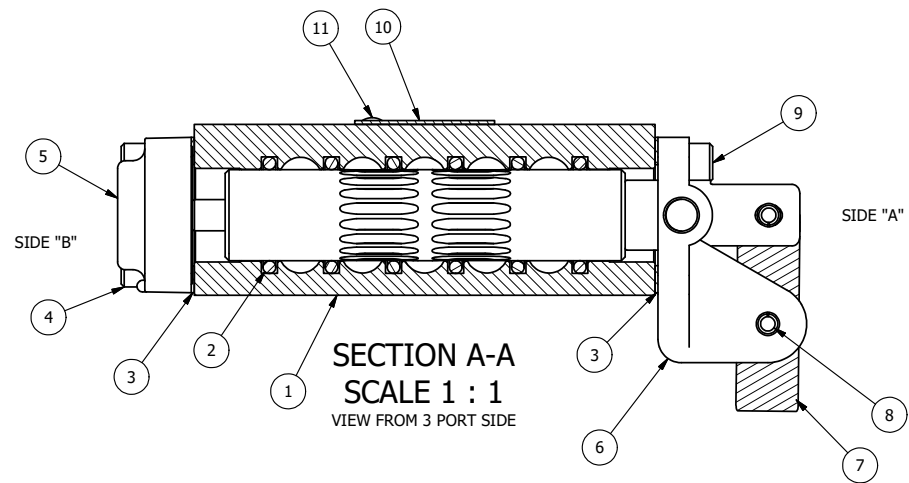


4 | 3 | 2 | 1



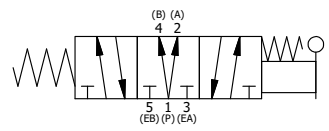
POSITION GASKET ON END OF VALVE SO MOUNTING HOLES ALIGN BOTH ENDS (SIDE 'B' SHOWN)

NOTES:  
1) ALWAYS GIVE VALVE MODEL, AND PART NUMBER WHEN ORDERING PARTS.



| FLG | QTY | PART NO    | DESCRIPTION   |
|-----|-----|------------|---|
| 11  | 2   | V-212      | SCREW, #2 X 3/16 DRIVE, TYPE U, OVAL HEAD, STAINLESS STEEL                    |
| 10  | 1   | AN-114     | NAMEPLATE, BLANK, FOR VALVES WITH SPRINGS OR DETENTS                          |
| 9   | 4   | V-162      | SCREW, 10-24 X 5/8, SOCKET HEAD CAP   |
| 8   | 1   | V-508      | PIN, ROLL 3/16 X 5/8 ZINC PLATED STEEL FOR 1/4 FOOT ENDCAP                    |
| 7   | 1   | HL3-521B20 | HAND LEVER WITH RED KNOB, BENT 20 DEG SIDEWAYS, 1/4" & 3/8" VALVES            |
| 6   | 1   | HE3-5LO    | END CAP, LEVER, 303 STAINLESS, LOCKOUT, 1/4" & 3/8" VALVES                    |
| 5   | 1   | AY-HY3DLOB | ASSY - SPR CTR, REGEN CTR SPL, LEVER OR TREADLE, LOCKOUT 'B' 1/4 & 3/8 VALVES |
| 4   | 4   | V-38       | SCREW, 10-24 X 3/4, SOCKET HEAD CAP   |
| 3   | 2   | ECG3       | GASKET - END CAP, 1/4" & 3/8" VALVE   |
| 2   | 6   | V-39       | O-RING, VITON, STD BODY, 1/4" & 3/8" VALVES                                   |
| 1   | 1   | B2-2E      | BODY - SOLID, PLAIN, NO PILOTS, ANODIZED, 1/4" SIDE PORT VALVE                |

|   |                 |  |                          |   |
|---|-----------------|--|--------------------------|---|
| LIMITS ON DIMENSIONS<br>UNLESS OTHERWISE SPECIFIED  |                 | 2-PL DECIMAL ± .01<br>3-PL DECIMAL ± .005<br>FRACTIONAL ± 1/64<br>ANGULAR ± 1/2° |                          | <p><b>AAA PRODUCTS INTERNATIONAL</b><br/>7114 Harry Hines Blvd<br/>Dallas, TX 75235</p> |
| DRAWN: RMckenna   | DATE: 1/29/2025 | CHECKED: KWaitte   | DATE: 1/29/2025          |   |
| SCALE: 1 : 1  | SHEET: 1 OF 1   | RELEASED: HWomack  | DATE: 1/29/2025          |   |
| TITLE:<br>1/4" SIDE PORT, LEVER, 3 POS,<br>SPR REGEN CTR, BNT LVR RT, HVY DTY,<br>RED KNOB, LOCKOUT B, 180D LVR |                 |  | PART NO.:<br>HY2DBRHJLOT | REV.:   |



4 | 3 | 2 | 1

THE INFORMATION CONTAINED WITHIN THIS DOCUMENT IS PROPRIETARY TO AAA PRODUCTS AND MAY NOT BE DISCLOSED WITHOUT PRIOR WRITTEN CONSENT

P:\Engineering\product\valves\assembly\lever\HY2DBRHJLOT.rvt