

4

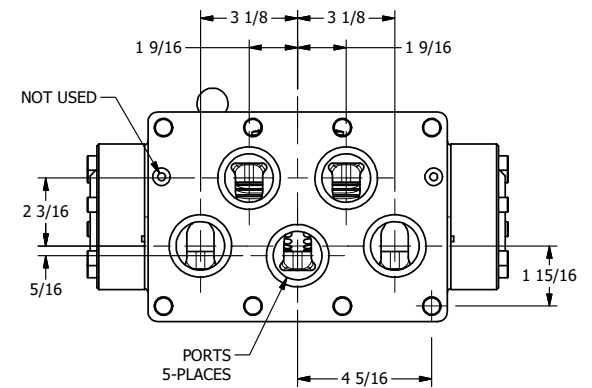
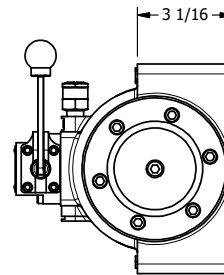
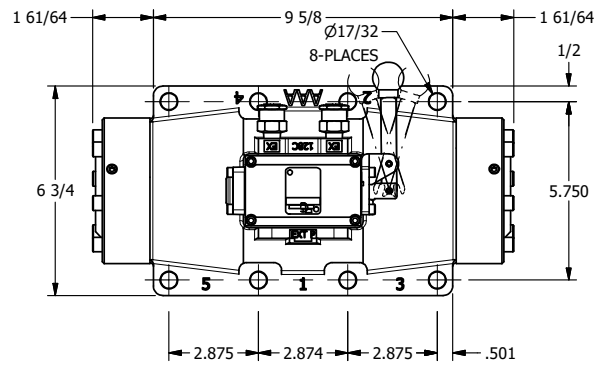
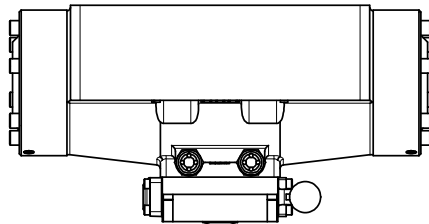
3

2

1

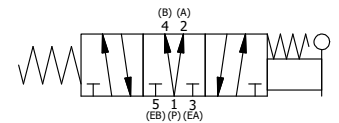
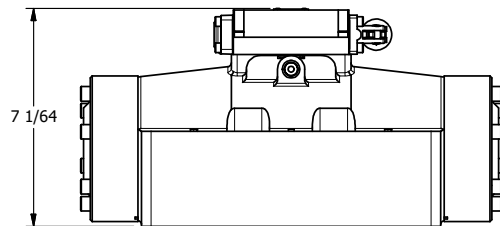
B

B



A

A



4

3

2

B

B



TITLE: 2" SUBPLATE, LEVER, 3 POS,
SPR CTR, LEVER SHFT, REGEN CTR SPL,
90D LEVER, EXTERNAL PILOT

DRAWING NO.:
DIM_HY16PDRZ

THE INFORMATION CONTAINED WITHIN THIS DOCUMENT IS PROPRIETARY TO AAA PRODUCTS AND MAY NOT BE DISCLOSED WITHOUT PRIOR WRITTEN CONSENT