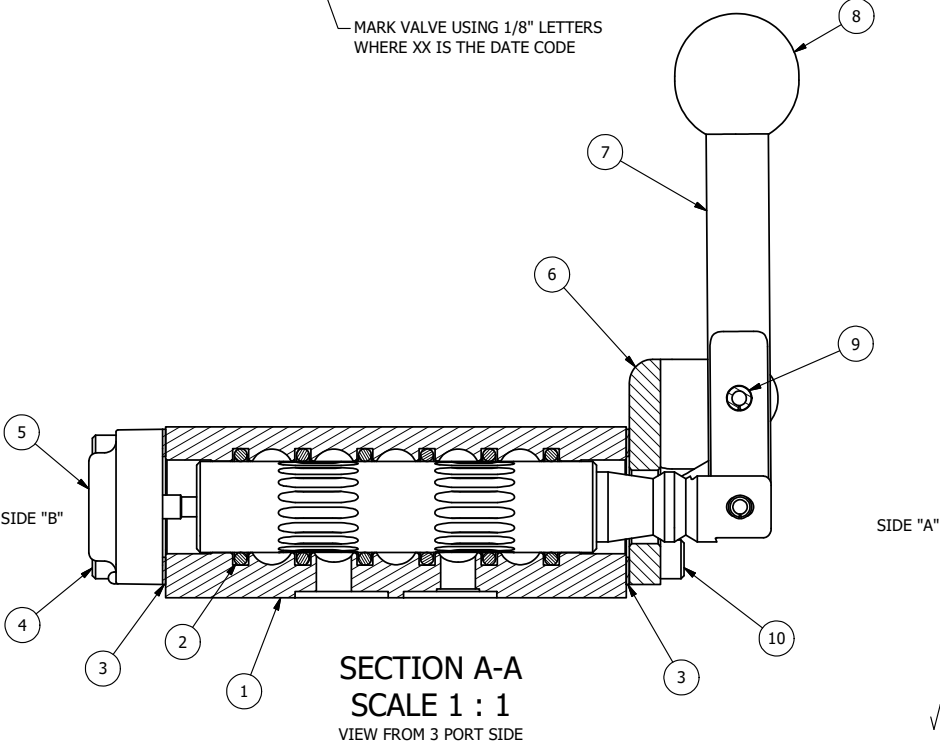


NOTES:  
 1) ALWAYS GIVE VALVE MODEL, AND PART NUMBER WHEN ORDERING PARTS.  
 2) LUBRICATE DETENT BALL, SPRING AND CLEVIS.



|     |     |            |   |
|-----|-----|------------|---|
| 16  | 1   | ZNSPK-2    | KIT - SUBPLATE MOUNTING, BRASS NAMUR, (2 EA V-618-SS SCREW, 2 EA V-565 O-RING)        |
| 15  | 1   | V-548      | O-RING, BUNA-N, 70 DURO, 6MM X 1MM, NAMUR PLUG  |
| 14  | 1   | V-547      | PLUG, 360 HALF HARD BRASS, NAMUR VALVE  |
| 13  | 2   | V-21-SS    | SCREW, 1/4-20 X 3/16, SOCKET SET, CUP POINT, 18-8 SS                                  |
| 12  | 2   | DS3-1      | SPRING, DETENT, STAINLESS, 1/4" & 3/8" VALVE. LEE SPRING # LC 029B 0 S.               |
| 11  | 2   | V-14-SS    | BALL, 440C STAINLESS STEEL, 3/16 DIA. FOR DETENT                                      |
| 10  | 4   | V-162-SS   | SCREW, 10-24 X 5/8, SOCKET HEAD CAP, STAINLESS STEEL                                  |
| 9   | 1   | V-508-SS   | PIN, ROLL 3/16 X 5/8", 18-8 SS  |
| 8   | 1   | V-580      | KNOB, BLACK (BRASS 3/8-16 INSERT), 1" DIA BALL  |
| 7   | 1   | HL3-SS     | HAND LEVER, 303 STAINLESS STEEL, 1/4" & 3/8" VALVE                                    |
| 6   | 1   | HE3-5DD    | END CAP, LEVER, DOUBLE DETENT, 303 STAINLESS STEEL, 1/4" & 3/8" VALVE                 |
| 5   | 1   | AY-HX3G-SA | ASSY - DETENT A, SPR CTR FRM C, FLOAT CTR, LEVER OR TREADLE, SS W/AL SPL, 1/4" & 3/8" |
| 4   | 4   | V-38-SS    | SCREW, 10-24 X 3/4, SOCKET HEAD CAP, 18-8 SS  |
| 3   | 2   | ECG3       | GASKET - END CAP, 1/4" & 3/8" VALVE   |
| 2   | 6   | V-39       | O-RING, VITON, STD BODY, 1/4" & 3/8" VALVES   |
| 1   | 1   | Z2-11      | BODY - BRASS, UPPER PILOTS (BUTTON BLEEDER), 1/4" NAMUR                               |
| FLG | QTY | PART NO    | DESCRIPTION   |

|   |                |  |                     |  |
|---|----------------|--|---------------------|--|
| LIMITS ON DIMENSIONS<br>UNLESS OTHERWISE SPECIFIED                        |                | 2-PL DECIMAL ± .01<br>3-PL DECIMAL ± .005<br>FRACTIONAL ± 1/64<br>ANGULAR ± 1/2° |                     | <b>AAA PRODUCTS INTERNATIONAL</b><br>7114 Harry Hines Blvd<br>Dallas, TX 75235 |
| DRAWN: RMckenna   | DATE: 2/9/2025 | CHECKED: KWaite  | DATE: 2/9/2025      |  |
| SCALE: 1 : 1  | SHEET: 1 OF 1  | RELEASED: HWomack  | DATE: 2/9/2025      |  |
| TITLE:<br>1/4" NAMUR, LEVER, 3 POS,<br>DTNT A, FLOAT SPR CTR FRM C, BR&SS |                |  | PART NO.:<br>ZNHX2G | REV.:  |

THE INFORMATION CONTAINED WITHIN THIS DOCUMENT IS PROPRIETARY TO AAA PRODUCTS AND MAY NOT BE DISCLOSED WITHOUT PRIOR WRITTEN CONSENT

D:\Engineering\Products\Valves\Assembly\lever\KNSG\ZNHX2G.dwg