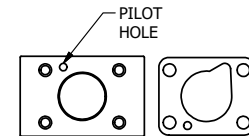


4

3

2

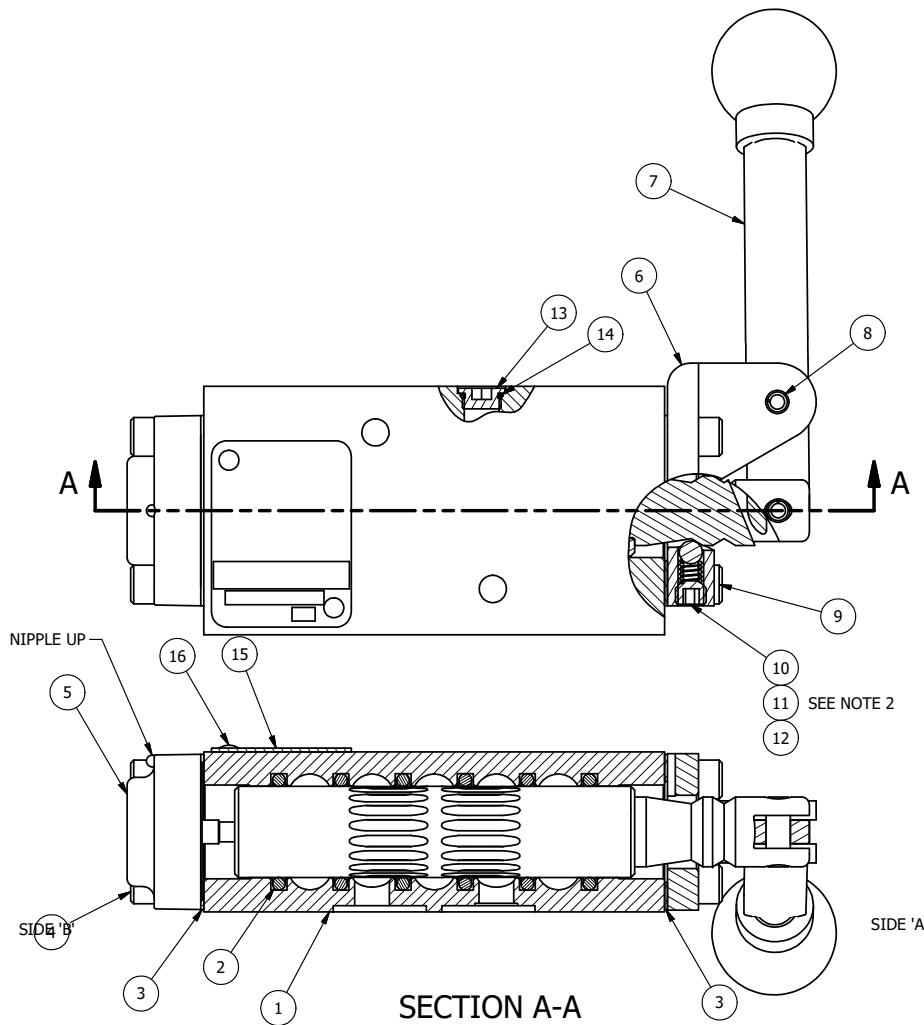
1



POSITION GASKET TO SEAL PILOT HOLE BOTH SIDES. (SIDE 'A' SHOWN)

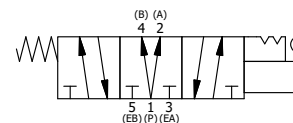
NOTES:

- 1) ALWAYS GIVE VALVE MODEL, AND PART NUMBER WHEN ORDERING PARTS.
- 2) LUBRICATE DETENT BALL, SPRING AND CLEVIS.



SEE NOTE 2

SECTION A-A  
SCALE 1 : 1  
VIEW FROM 3 PORT SIDE



|     |     |           |  |
|-----|-----|-----------|--|
| 17  | 1   | NSPK-2    | KIT - SUBPLATE MOUNTING, NAMUR VALVES  |
| 16  | 2   | V-212     | SCREW, #2 X 3/16 DRIVE, TYPE U, OVAL HEAD, STAINLESS STEEL                           |
| 15  | 1   | AN-114    | NAMEPLATE, BLANK, FOR VALVES WITH SPRINGS OR DETENTS                                 |
| 14  | 1   | V-548     | O-RING, BUNA-N, 70 DURO, 6MM X 1MM, NAMUR PLUG                                       |
| 13  | 1   | V-547     | PLUG, 360 HALF HARD BRASS, NAMUR VALVE   |
| 12  | 1   | V-14      | BALL, CHROME STEEL 3/16 DIA, GRADE 25, FOR DETENT                                    |
| 11  | 1   | DS3       | SPRING - DETENT, 1/4" & 3/8" VALVE   |
| 10  | 1   | V-21      | SCREW, 1/4-20 X 3/16, SOCKET SET, CUP POINT  |
| 9   | 4   | V-162     | SCREW, 10-24 X 5/8, SOCKET HEAD CAP  |
| 8   | 1   | V-542     | PIN, ROLL 3/16 X 1/2 ZINC PLATED STEEL FOR HE3-4 END CAP                             |
| 7   | 1   | HL3-24B20 | HAND LEVER WITH KNOB, BENT 20 DEG SIDEWAYS, 1/4" & 3/8" VALVES                       |
| 6   | 1   | HE3-4D    | ENDCAP - HAND, DETENT, 303 STAINLESS, 1/4" & 3/8" STACK VALVE                        |
| 5   | 1   | AY-HX3D   | ASSY - DETENT A, SPR CTR FROM C, REGEN CTR SPL, LEVER OR TREADLE, 1/4" & 3/8" VALVES |
| 4   | 4   | V-38      | SCREW, 10-24 X 3/4, SOCKET HEAD CAP  |
| 3   | 2   | ECG3      | GASKET - END CAP, 1/4" & 3/8" VALVE  |
| 2   | 6   | V-39      | O-RING, VITON, STD BODY, 1/4" & 3/8" VALVES  |
| 1   | 1   | B2-11E-W  | NAMUR INTERFACE, WITH 3/2 CONVERSION, 1/4" VALVE                                     |
| FLG | QTY | PART NO   | DESCRIPTION  |

|  |                |  |                       |   |
|--|----------------|--|-----------------------|---|
| LIMITS ON DIMENSIONS<br>UNLESS OTHERWISE SPECIFIED   |                | 2-PL DECIMAL ± .01<br>3-PL DECIMAL ± .005<br>FRACTIONAL ± 1/64<br>ANGULAR ± 1/2° |                       | <p><b>AAA PRODUCTS INTERNATIONAL</b><br/>7114 Harry Hines Blvd<br/>Dallas, TX 75235</p> |
| DRAWN: RMckenna  | DATE: 2/9/2025 | CHECKED: KWaite  | DATE: 2/9/2025        |   |
| SCALE: 1 : 1   | SHEET: 1 OF 1  | RELEASED: HWomack  | DATE: 2/9/2025        |   |
| TITLE:<br>1/4" NAMUR, LEVER, 3 POS,<br>DTNT A, REGEN SPR CTR FRM C,<br>BNT LVR RT, 90D LVR |                |  | PART NO.:<br>NHX2DBRR | REV.:   |

THE INFORMATION CONTAINED WITHIN THIS DOCUMENT IS PROPRIETARY TO AAA PRODUCTS AND MAY NOT BE DISCLOSED WITHOUT PRIOR WRITTEN CONSENT

P:\Engineering\Products\Valves\Assembly\Levers\HX3D\G1\NHX2DBRR.dwg