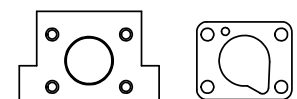


4

3

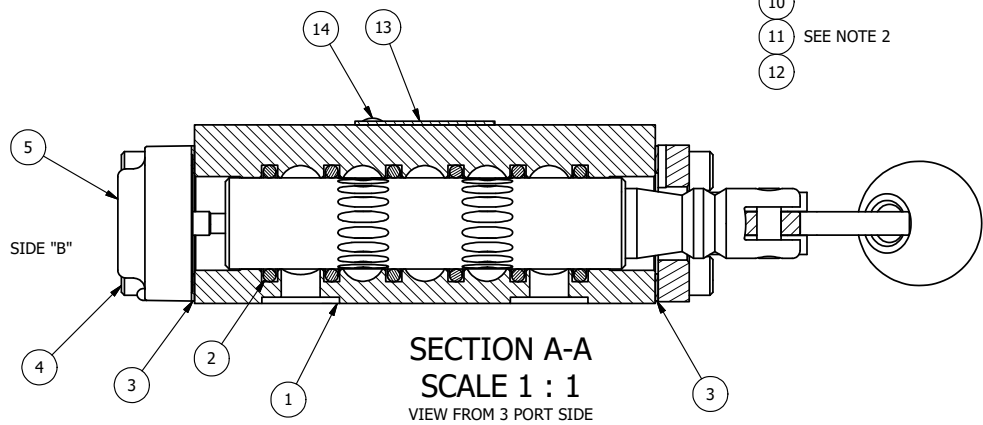
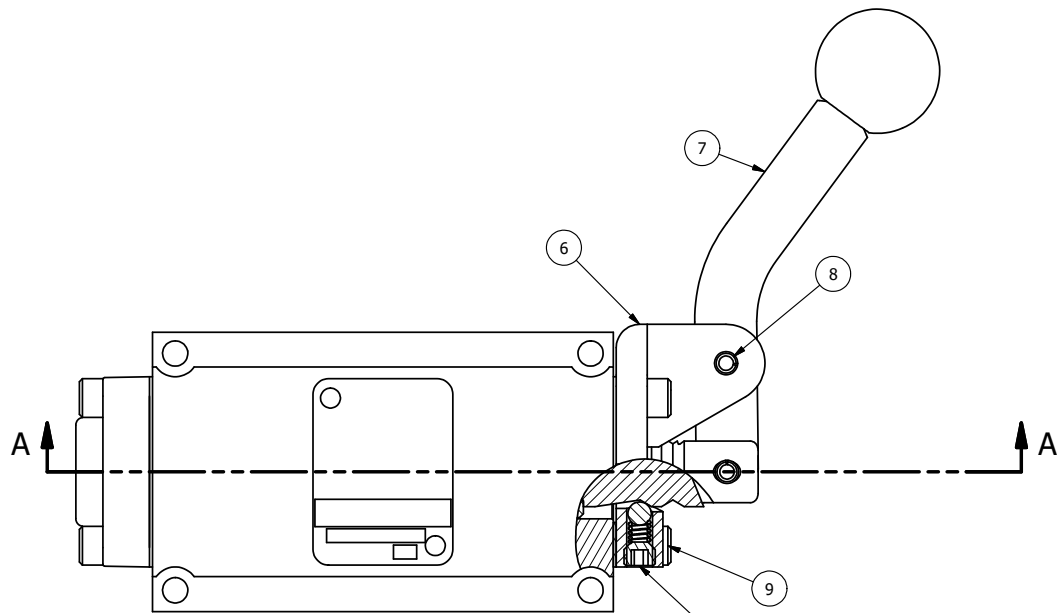
2

1

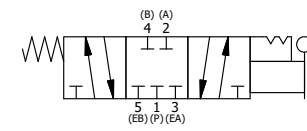


POSITION GASKET ON END OF VALVE SO MOUNTING HOLES ALIGN BOTH ENDS (SIDE 'A' SHOWN)

NOTES:
 1) ALWAYS GIVE VALVE MODEL, AND PART NUMBER WHEN ORDERING PARTS.
 2) LUBRICATE DETENT BALL, SPRING AND CLEVIS.



SECTION A-A
 SCALE 1 : 1
 VIEW FROM 3 PORT SIDE



| | | | |
|-----|-----|----------|---|
| 15 | 1 | SPK-3 | KIT - SUBPLATE MOUNTING, 3/8" SUBPLATE VALVES |
| 14 | 2 | V-212 | SCREW, #2 X 3/16 DRIVE, TYPE U, OVAL HEAD, STAINLESS STEEL |
| 13 | 1 | AN-114 | NAMEPLATE, BLANK, FOR VALVES WITH SPRINGS OR DETENTS |
| 12 | 1 | V-14 | BALL, CHROME STEEL 3/16 DIA, GRADE 25, FOR DETENT |
| 11 | 1 | DS3 | SPRING - DETENT, 1/4" & 3/8" VALVE |
| 10 | 1 | V-21 | SCREW, 1/4-20 X 3/16, SOCKET SET, CUP POINT |
| 9 | 4 | V-162 | SCREW, 10-24 X 5/8, SOCKET HEAD CAP |
| 8 | 1 | V-542 | PIN, ROLL 3/16 X 1/2 ZINC PLATED STEEL FOR HE3-4 END CAP |
| 7 | 1 | HL3-521C | CURVED HAND LEVER WITH RED KNOB, 1/4" & 3/8" VALVE |
| 6 | 1 | HE3-4D | ENDCAP - HAND, DETENT, 303 STAINLESS, 1/4" & 3/8" STACK VALVE |
| 5 | 1 | AY-HX3 | ASSY - DETENT A, SPR CTR FROM C, CLSD CTR SPL, LEVER OR TREADLE, 1/4" & 3/8" VALVES |
| 4 | 4 | V-38 | SCREW, 10-24 X 3/4, SOCKET HEAD CAP |
| 3 | 2 | ECG3 | GASKET - END CAP, 1/4" & 3/8" VALVE |
| 2 | 6 | V-39 | O-RING, VITON, STD BODY, 1/4" & 3/8" VALVES |
| 1 | 1 | BP3-2E | BODY - SOLID, PLAIN, NO PILOTS, ANODIZED, 3/8" SUBPLATE VALVE |
| FLG | QTY | PART NO | DESCRIPTION |

LIMITS ON DIMENSIONS
 UNLESS OTHERWISE SPECIFIED
 2-PL DECIMAL ± .01
 3-PL DECIMAL ± .005
 FRACTIONAL ± 1/64
 ANGULAR ± 1/2°



DRAWN: RMckenna DATE: 2/8/2025 CHECKED: KWaite DATE: 2/8/2025
 SCALE: 1 : 1 SHEET: 1 OF 1 RELEASED: HWomack DATE: 2/8/2025

TITLE: 3/8" SUBPLATE, LEVER, 3 POS, DTNT A, CLSD SPR CTR FRM C, CRVD LVR, RED KNB, 90D LVR
 PART NO.: HX3PCJR
 REV.:

THE INFORMATION CONTAINED WITHIN THIS DOCUMENT IS PROPRIETARY TO AAA PRODUCTS AND MAY NOT BE DISCLOSED WITHOUT PRIOR WRITTEN CONSENT

P:\Engineering\Products\Valves\Assembly\Level\HX3\HX3PCJR.dwg