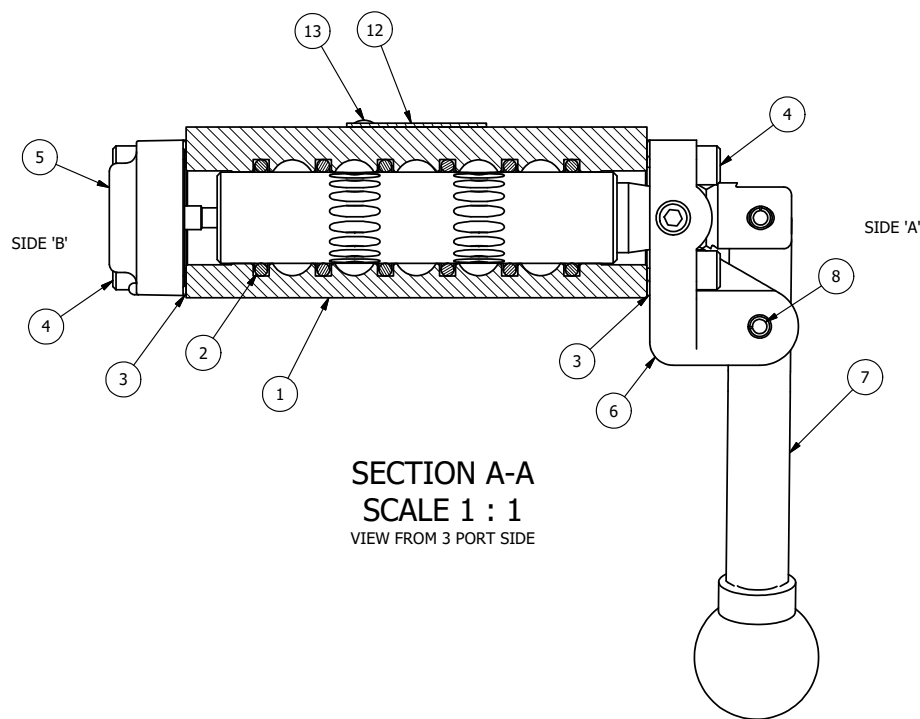


POSITION GASKET ON END OF VALVE SO MOUNTING HOLES ALIGN BOTH ENDS (SIDE 'A' SHOWN)

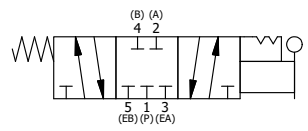
- NOTES:  
 1) ALWAYS GIVE VALVE MODEL, AND PART NUMBER WHEN ORDERING PARTS.  
 2) LUBRICATE DETENT BALL, SPRING AND CLEVIS.



SECTION A-A  
 SCALE 1 : 1  
 VIEW FROM 3 PORT SIDE

| FLG | QTY | PART NO   | DESCRIPTION   |
|-----|-----|-----------|---|
| 13  | 2   | V-212     | SCREW, #2 X 3/16 DRIVE, TYPE U, OVAL HEAD, STAINLESS STEEL                          |
| 12  | 1   | AN-114    | NAMEPLATE, BLANK, FOR VALVES WITH SPRINGS OR DETENTS                                |
| 11  | 2   | V-14      | BALL, CHROME STEEL 3/16 DIA, GRADE 25, FOR DETENT                                   |
| 10  | 2   | DS3       | SPRING - DETENT, 1/4" & 3/8" VALVE  |
| 9   | 2   | V-21      | SCREW, 1/4-20 X 3/16, SOCKET SET, CUP POINT   |
| 8   | 1   | V-7       | PIN, ROLL 3/16 X 11/16, STEEL, FOR 1/4 THRU 1/2" HAND, FT & CAM V                   |
| 7   | 1   | HL3-24B20 | HAND LEVER WITH KNOB, BENT 20 DEG SIDEWAYS, 1/4" & 3/8" VALVES                      |
| 6   | 1   | HE3-3DD   | END CAP, LEVER, DOUBLE DETENT, 380 AL, 1/4" & 3/8" VALVE                            |
| 5   | 1   | AY-HX3    | ASSY - DETENT A, SPR CTR FROM C, CLSD CTR SPL, LEVER OR TREADLE, 1/4" & 3/8" VALVES |
| 4   | 8   | V-38      | SCREW, 10-24 X 3/4, SOCKET HEAD CAP   |
| 3   | 2   | ECG3      | GASKET - END CAP, 1/4" & 3/8" VALVE   |
| 2   | 6   | V-39      | O-RING, VITON, STD BODY, 1/4" & 3/8" VALVES   |
| 1   | 1   | B2-2E     | BODY - SOLID, PLAIN, NO PILOTS, ANODIZED, 1/4" SIDE PORT VALVE                      |

|  |  |  |  |  |       |
|--|--|--|--|--|-------|
| LIMITS ON DIMENSIONS<br>UNLESS OTHERWISE SPECIFIED                                     |  | 2-PL DECIMAL ± .01<br>3-PL DECIMAL ± .005<br>FRACTIONAL ± 1/64<br>ANGULAR ± 1/2° |  | <b>AAA PRODUCTS INTERNATIONAL</b><br>7114 Harry Hines Blvd<br>Dallas, TX 75235 |       |
| DRAWN: RMckenna  |  | DATE: 5/8/2022   |  |  |       |
| SCALE: 1 : 1   |  | SHEET: 1 OF 1  |  | CHECKED: KWaite<br>DATE: 5/8/2022  |       |
| TITLE: 1/4" SIDE PORT, LEVER, 3 POS, DTNT A, CLSD SPR CTR FRM C, BNT LVR LFT, 180D LVR |  |  |  | PART NO.: HX2BLT   | REV.: |



THE INFORMATION CONTAINED WITHIN THIS DOCUMENT IS PROPRIETARY TO AAA PRODUCTS AND MAY NOT BE DISCLOSED WITHOUT PRIOR WRITTEN CONSENT

P:\Engineering\Products\Valves\Assembly\lever\HX2BLT.dwg