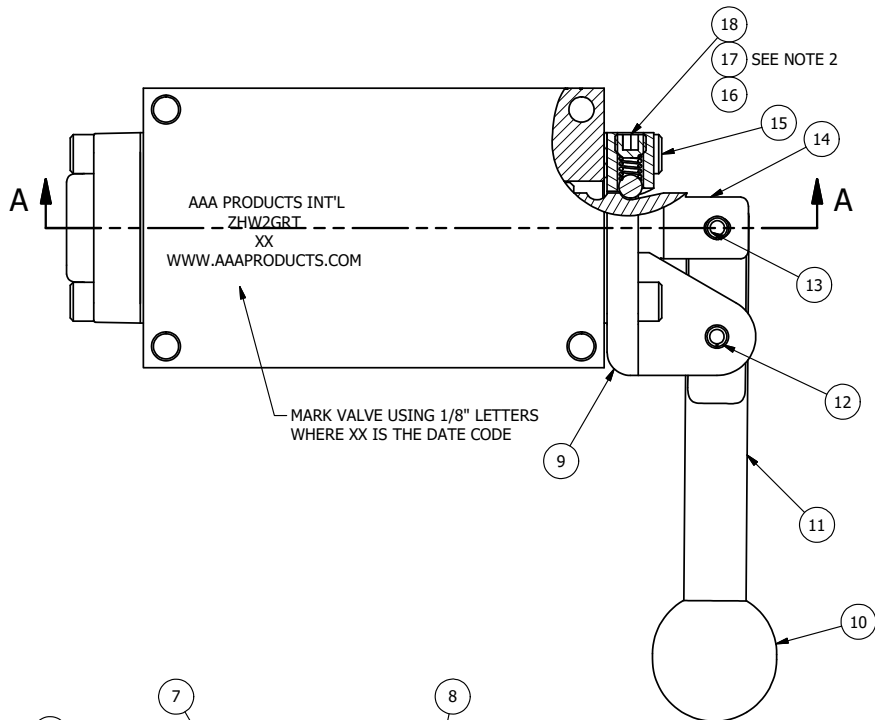
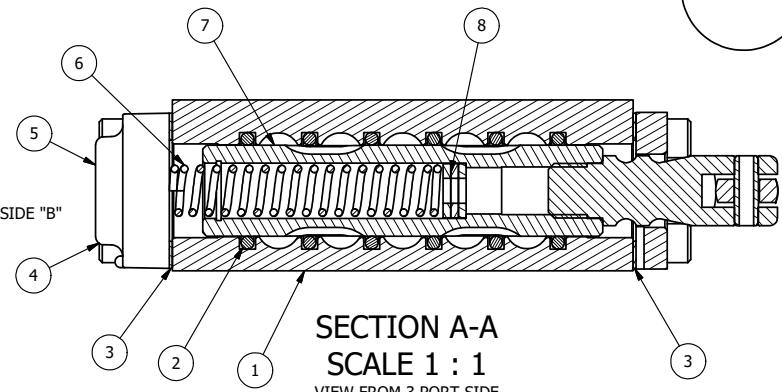


4 | 3 | 2 | 1

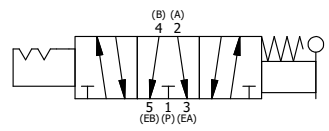


POSITION GASKET ON END OF VALVE SO MOUNTING HOLES ALIGN BOTH ENDS (SIDE 'A' SHOWN)

NOTES:  
 1) ALWAYS GIVE VALVE MODEL, AND PART NUMBER WHEN ORDERING PARTS.  
 2) LUBRICATE DETENT BALL, SPRING AND CLEVIS.



SIDE "A"



|     |     |          |  |
|-----|-----|----------|--|
| 19  | 1   | ZNSPK-2  | KIT - SUBPLATE MOUNTING, BRASS NAMUR, (2 EA V-618-SS SCREW, 2 EA V-565 O-RING) |
| 18  | 1   | V-21-SS  | SCREW, 1/4-20 X 3/16, SOCKET SET, CUP POINT, 18-8 SS                           |
| 17  | 1   | DS3-1    | SPRING, DETENT, STAINLESS, 1/4" & 3/8" VALVE. LEE SPRING # LC 0298 0 S.        |
| 16  | 1   | V-14-SS  | BALL, 440C STAINLESS STEEL, 3/16 DIA. FOR DETENT                               |
| 15  | 4   | V-162-SS | SCREW, 10-24 X 5/8, SOCKET HEAD CAP, STAINLESS STEEL                           |
| 14  | 1   | HC3-189  | CLEVIS - HAND, STAINLESS, 189VY ACTION, 1/4" & 3/8" VALVE                      |
| 13  | 1   | V-48-SS  | PIN, ROLL 3/16 X 9/16 18-8 STAINLESS   |
| 12  | 1   | V-542-SS | PIN, ROLL 3/16 X 1/2 NON-MAGNETIC STAINLESS STEEL FOR HE3-4 END CAP            |
| 11  | 1   | HL3-SS   | HAND LEVER, 303 STAINLESS STEEL, 1/4" & 3/8" VALVE                             |
| 10  | 1   | V-580    | KNOB, BLACK (BRASS 3/8-16 INSERT), 1" DIA BALL                                 |
| 9   | 1   | HE3-4D   | ENDCAP - HAND, DETENT, 303 STAINLESS, 1/4" & 3/8" STACK VALVE                  |
| 8   | 3   | V-43     | WASHER - SPRING CTR, 302/304 STAINLESS STEEL, 1/4" & 3/8" VALVES               |
| 7   | 1   | SSH3G    | SPOOL - 'G', 3 POS, FLOAT CTR, 1/4" & 3/8" VALVE                               |
| 6   | 1   | CS3-1    | SPRING - CENTERING, 1/4" & 3/8" VALVES   |
| 5   | 1   | SEC3-3   | END CAP, VENTED, STAINLESS STEEL, 1/4" & 3/8" VALVES                           |
| 4   | 4   | V-38-SS  | SCREW, 10-24 X 3/4, SOCKET HEAD CAP, 18-8 SS                                   |
| 3   | 2   | ECG3     | GASKET - END CAP, 1/4" & 3/8" VALVE  |
| 2   | 6   | V-39     | O-RING, VITON, STD BODY, 1/4" & 3/8" VALVES                                    |
| 1   | 1   | ZB2-2    | BODY - BRASS, NO PILOTS, 1/4" SIDE PORT VALVE                                  |
| FLG | QTY | PART NO  | DESCRIPTION  |

|  |                 |  |                      |  |
|--|-----------------|--|----------------------|--|
| LIMITS ON DIMENSIONS<br>UNLESS OTHERWISE SPECIFIED   |                 | 2-PL DECIMAL ± .01<br>3-PL DECIMAL ± .005<br>FRACTIONAL ± 1/64<br>ANGULAR ± 1/2° |                      | <b>AAA PRODUCTS INTERNATIONAL</b><br>7114 Harry Hines Blvd<br>Dallas, TX 75235 |
| DRAWN: RMckenna  | DATE: 2/27/2016 | CHECKED: KWaite  | DATE: 2/27/2016      |  |
| SCALE: 1:1   | SHEET: 1 OF 1   | RELEASED: HWomack  | DATE: 2/27/2016      |  |
| TITLE:<br>1/4" SIDE PORT, LEVER, 3 POS,<br>DETENT C, SPR CTR FROM A,<br>FLOAT CTR SPL, BR & SS, 270D LVR |                 |  | PART NO.:<br>ZHW2GRT | REV.:  |

THE INFORMATION CONTAINED WITHIN THIS DOCUMENT IS PROPRIETARY TO AAA PRODUCTS AND MAY NOT BE DISCLOSED WITHOUT PRIOR WRITTEN CONSENT

4 | 3 | 2 | 1

P:\Engineering\product\Valves\Assemblies\Levers\1106\ZHW2GRT.dwg