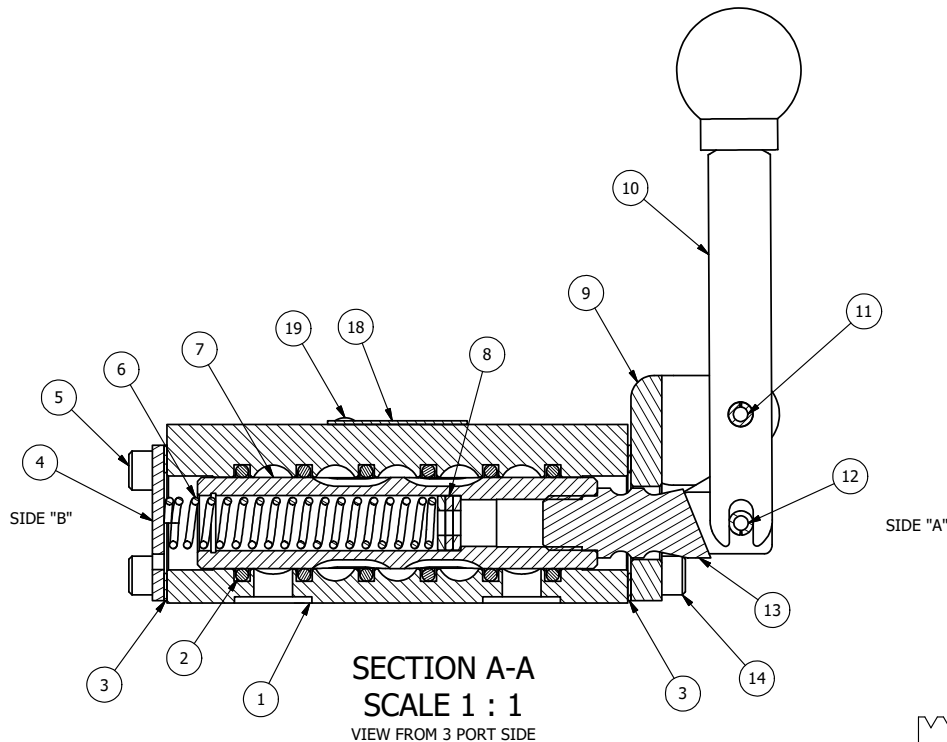


POSITION GASKET ON END OF VALVE SO  
MOUNTING HOLES ALIGN  
BOTH ENDS (SIDE 'A' SHOWN)

NOTES:

- 1) ALWAYS GIVE VALVE MODEL, AND PART NUMBER WHEN ORDERING PARTS.
- 2) LUBRICATE DETENT BALL, SPRING AND CLEVIS.



|     |     |         |   |
|-----|-----|---------|---|
| 20  | 1   | SPK-3   | KIT - SUBPLATE MOUNTING, 3/8" SUBPLATE VALVES                         |
| 19  | 2   | V-212   | SCREW, #2 X 3/16 DRIVE, TYPE U, OVAL HEAD, STAINLESS STEEL            |
| 18  | 1   | AN-114  | NAMEPLATE, BLANK, FOR VALVES WITH SPRINGS OR DETENTS                  |
| 17  | 2   | V-14    | BALL, CHROME STEEL 3/16 DIA, GRADE 25, FOR DETENT                     |
| 16  | 2   | DS3     | SPRING - DETENT, 1/4" & 3/8" VALVE                                    |
| 15  | 2   | V-21    | SCREW, 1/4-20 X 3/16, SOCKET SET, CUP POINT                           |
| 14  | 4   | V-162   | SCREW, 10-24 X 5/8, SOCKET HEAD CAP                                   |
| 13  | 1   | HC3-189 | CLEVIS - HAND, 189VY ACTION, 1/4" & 3/8" VALVE                        |
| 12  | 1   | V-48    | PIN, ROLL 3/16 X 9/16, STEEL, ZINC PLATED                             |
| 11  | 1   | V-508   | PIN, ROLL 3/16 X 5/8 ZINC PLATED STEEL FOR 1/4 FOOT ENDCAP            |
| 10  | 1   | HL3-24  | HAND LEVER WITH KNOB, 1/4" & 3/8" VALVE                               |
| 9   | 1   | HE3-5DD | END CAP, LEVER, DOUBLE DETENT, 303 STAINLESS STEEL, 1/4" & 3/8" VALVE |
| 8   | 3   | V-43    | WASHER - SPRING CTR, 302/304 STAINLESS STEEL, 1/4" & 3/8" VALVES      |
| 7   | 1   | SSH3D   | SPOOL - 'D', 3 POS, REGEN CTR, 1/4" & 3/8" VALVE                      |
| 6   | 1   | CS3-1   | SPRING - CENTERING, 1/4" & 3/8" VALVES                                |
| 5   | 4   | V-37    | SCREW, 10-24 X 1/2, SOCKET HEAD CAP                                   |
| 4   | 1   | SEC3    | END CAP, 304 STAINLESS STEEL, 1/4" & 3/8" VALVE                       |
| 3   | 2   | ECG3    | GASKET - END CAP, 1/4" & 3/8" VALVE                                   |
| 2   | 6   | V-39    | O-RING, VITON, STD BODY, 1/4" & 3/8" VALVES                           |
| 1   | 1   | BP3-2E  | BODY - SOLID, PLAIN, NO PILOTS, ANODIZED, 3/8" SUBPLATE VALVE         |
| FLG | QTY | PART NO | DESCRIPTION   |

LIMITS ON DIMENSIONS  
UNLESS  
OTHERWISE SPECIFIED

2-PL DECIMAL ± .01  
3-PL DECIMAL ± .005  
FRACTIONAL ± 1/64  
ANGULAR ± 1/2°

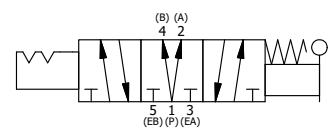


DRAWN: RMckenna DATE: 2/27/2016  
SCALE: 1 : 1 SHEET: 1 OF 1

CHECKED: KWaite DATE: 2/27/2016  
RELEASED: HWomack DATE: 2/27/2016

TITLE:  
3/8" SUBPLATE, LEVER, 3 POS,  
DETENT C, SPR CTR FROM A,  
REGEN CTR SPL, HVY DUTY

PART NO.:  
HW3PDH  
REV.:



P:\Engineering\product\Valve Assembly\Lever\HW3\HW3PDH.dwg