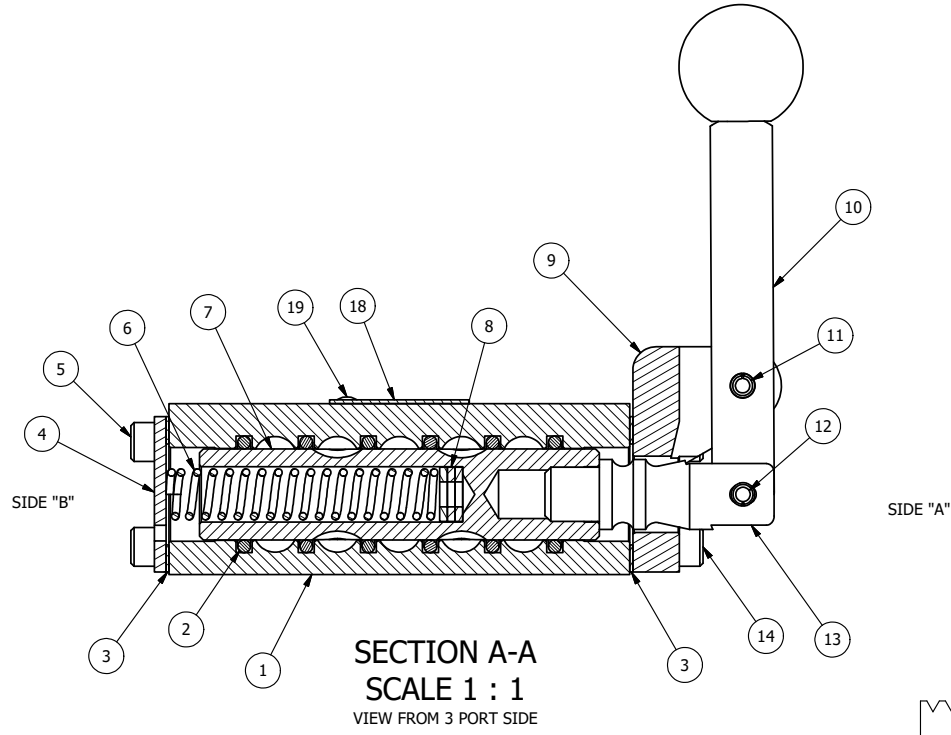


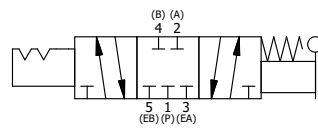
POSITION GASKET ON END OF VALVE SO
MOUNTING HOLES ALIGN
BOTH ENDS (SIDE 'A' SHOWN)

NOTES:
1) ALWAYS GIVE VALVE MODEL, AND PART NUMBER WHEN ORDERING PARTS.
2) LUBRICATE DETENT BALL, SPRING AND CLEVIS.



| | | | |
|-----|-----|---------|---|
| 19 | 2 | V-212 | SCREW, #2 X 3/16 DRIVE, TYPE U, OVAL HEAD, STAINLESS STEEL |
| 18 | 1 | AN-114 | NAMEPLATE, BLANK, FOR VALVES WITH SPRINGS OR DETENTS |
| 17 | 2 | V-14 | BALL, CHROME STEEL 3/16 DIA, GRADE 25, FOR DETENT |
| 16 | 2 | DS3 | SPRING - DETENT, 1/4" & 3/8" VALVE |
| 15 | 2 | V-21 | SCREW, 1/4-20 X 3/16, SOCKET SET, CUP POINT |
| 14 | 4 | V-38 | SCREW, 10-24 X 3/4, SOCKET HEAD CAP |
| 13 | 1 | HC3-189 | CLEVIS - HAND, 189VY ACTION, 1/4" & 3/8" VALVE |
| 12 | 1 | V-48 | PIN, ROLL 3/16 X 9/16, STEEL, ZINC PLATED |
| 11 | 1 | V-7 | PIN, ROLL 3/16 X 11/16, STEEL, FOR 1/4 THRU 1/2" HAND, FT & CAM V |
| 10 | 1 | HL3-521 | HAND LEVER WITH RED KNOB, 1/4" & 3/8" VALVE |
| 9 | 1 | HE3-3DD | END CAP, LEVER, DOUBLE DETENT, 380 AL, 1/4" & 3/8" VALVE |
| 8 | 3 | V-43 | WASHER - SPRING CTR, 302/304 STAINLESS STEEL, 1/4" & 3/8" VALVES |
| 7 | 1 | S3 | SPOOL - STANDARD, 2 POS, CLSD CTR, 1/4" & 3/8" VALVE |
| 6 | 1 | CS3-1 | SPRING - CENTERING, 1/4" & 3/8" VALVES |
| 5 | 4 | V-37 | SCREW, 10-24 X 1/2, SOCKET HEAD CAP |
| 4 | 1 | SEC3 | END CAP, 304 STAINLESS STEEL, 1/4" & 3/8" VALVE |
| 3 | 2 | ECG3 | GASKET - END CAP, 1/4" & 3/8" VALVE |
| 2 | 6 | V-39 | O-RING, VITON, STD BODY, 1/4" & 3/8" VALVES |
| 1 | 1 | B3-2E | BODY - SOLID, PLAIN, NO PILOTS, ANODIZED, 3/8" SIDE PORT VALVE |
| FLG | QTY | PART NO | DESCRIPTION |

| | | | | |
|--|-----------------|--|-------------------|--|
| LIMITS ON DIMENSIONS UNLESS OTHERWISE SPECIFIED | | 2-PL DECIMAL ± .01 3-PL DECIMAL ± .005 FRACTIONAL ± 1/64 ANGULAR ± 1/2° | | AAA PRODUCTS INTERNATIONAL 7114 Harry Hines Blvd Dallas, TX 75235 |
| DRAWN: RMcKenna | DATE: 12/2/2015 | CHECKED: KWaite | DATE: 12/2/2015 | |
| SCALE: 1 : 1 | SHEET: 1 OF 1 | RELEASED: HWomack | DATE: 12/2/2015 | |
| TITLE: 3/8" SIDE PORT, LEVER, 3 POS, DETENT C, SPR CTR FROM A, CLSD CTR SPL, RED KNOB | | | PART NO.: HW3J | REV.: |



THE INFORMATION CONTAINED WITHIN THIS DOCUMENT IS PROPRIETARY TO AAA PRODUCTS AND MAY NOT BE DISCLOSED WITHOUT PRIOR WRITTEN CONSENT