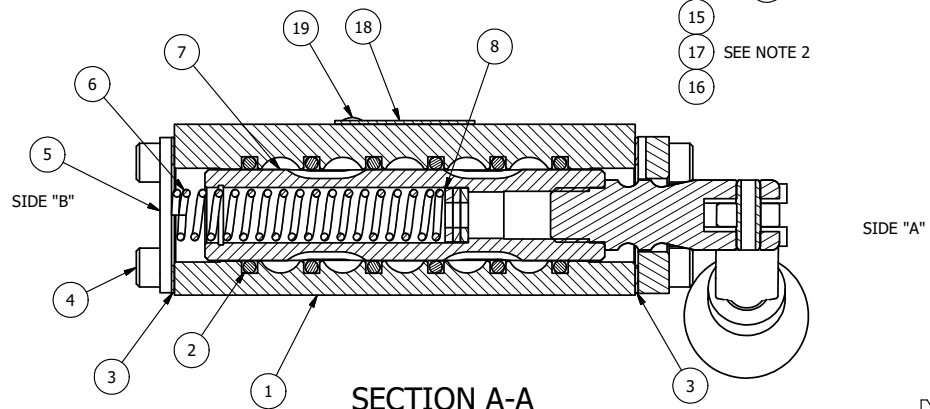


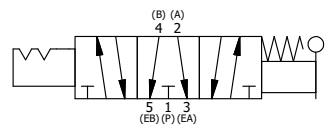
POSITION GASKET ON END OF VALVE SO MOUNTING HOLES ALIGN BOTH ENDS (SIDE 'A' SHOWN)

NOTES:  
 1) ALWAYS GIVE VALVE MODEL, AND PART NUMBER WHEN ORDERING PARTS.  
 2) LUBRICATE DETENT BALL, SPRING AND CLEVIS.

|     |     |           |                                                                  |
|-----|-----|-----------|------------------------------------------------------------------|
| 19  | 2   | V-212     | SCREW, #2 X 3/16 DRIVE, TYPE U, OVAL HEAD, STAINLESS STEEL       |
| 18  | 1   | AN-114    | NAMEPLATE, BLANK, FOR VALVES WITH SPRINGS OR DETENTS             |
| 17  | 1   | V-14      | BALL, CHROME STEEL 3/16 DIA, GRADE 25, FOR DETENT                |
| 16  | 1   | DS3       | SPRING - DETENT, 1/4" & 3/8" VALVE                               |
| 15  | 1   | V-21      | SCREW, 1/4-20 X 3/16, SOCKET SET, CUP POINT                      |
| 14  | 4   | V-162     | SCREW, 10-24 X 5/8, SOCKET HEAD CAP                              |
| 13  | 1   | HC3-189   | CLEVIS - HAND, STAINLESS, 189VY ACTION, 1/4" & 3/8" VALVE        |
| 12  | 1   | V-48      | PIN, ROLL 3/16 X 9/16, STEEL, ZINC PLATED                        |
| 11  | 1   | V-542     | PIN, ROLL 3/16 X 1/2 ZINC PLATED STEEL FOR HE3-4 END CAP         |
| 10  | 1   | HL3-24B20 | HAND LEVER WITH KNOB, BENT 20 DEG SIDEWAYS, 1/4" & 3/8" VALVES   |
| 9   | 1   | HE3-4D    | ENDCAP - HAND, DETENT, 303 STAINLESS, 1/4" & 3/8" STACK VALVE    |
| 8   | 3   | V-43      | WASHER - SPRING CTR, 302/304 STAINLESS STEEL, 1/4" & 3/8" VALVES |
| 7   | 1   | SSH3G     | SPOOL - 'G', 3 POS, FLOAT CTR, 1/4" & 3/8" VALVE                 |
| 6   | 1   | CS3-1     | SPRING - CENTERING, 1/4" & 3/8" VALVES                           |
| 5   | 1   | SEC3      | END CAP, 304 STAINLESS STEEL, 1/4" & 3/8" VALVE                  |
| 4   | 4   | V-37      | SCREW, 10-24 X 1/2, SOCKET HEAD CAP                              |
| 3   | 2   | ECG3      | GASKET - END CAP, 1/4" & 3/8" VALVE                              |
| 2   | 6   | V-39      | O-RING, VITON, STD BODY, 1/4" & 3/8" VALVES                      |
| 1   | 1   | B2-2E     | BODY - SOLID, PLAIN, NO PILOTS, ANODIZED, 1/4" SIDE PORT VALVE   |
| FLG | QTY | PART NO   | DESCRIPTION                                                      |



SECTION A-A  
 SCALE 1 : 1  
 VIEW FROM 3 PORT SIDE



|                                                                                                 |                |                                                                                  |                      |                                                                                |
|-------------------------------------------------------------------------------------------------|----------------|----------------------------------------------------------------------------------|----------------------|--------------------------------------------------------------------------------|
| LIMITS ON DIMENSIONS<br>UNLESS OTHERWISE SPECIFIED                                              |                | 2-PL DECIMAL ± .01<br>3-PL DECIMAL ± .005<br>FRACTIONAL ± 1/64<br>ANGULAR ± 1/2° |                      | <b>AAA PRODUCTS INTERNATIONAL</b><br>7114 Harry Hines Blvd<br>Dallas, TX 75235 |
| DRAWN: RMckenna                                                                                 | DATE: 2/3/2025 | CHECKED: KWaite                                                                  | DATE: 2/3/2025       |                                                                                |
| SCALE: 1 : 1                                                                                    | SHEET: 1 OF 1  | RELEASED: HWomack                                                                | DATE: 2/3/2025       |                                                                                |
| TITLE:<br>1/4" SIDE PORT, LEVER, 3 POS,<br>DTNT C, REGEN SPR CTR FRM A,<br>BNT LVR RHT, 90D LVR |                |                                                                                  | PART NO.:<br>HW2GBRR | REV.:                                                                          |

THE INFORMATION CONTAINED WITHIN THIS DOCUMENT IS PROPRIETARY TO AAA PRODUCTS AND MAY NOT BE DISCLOSED WITHOUT PRIOR WRITTEN CONSENT

D:\Engineering\Products\Valves\Assembly\Lever\HW2GBRR.dwg