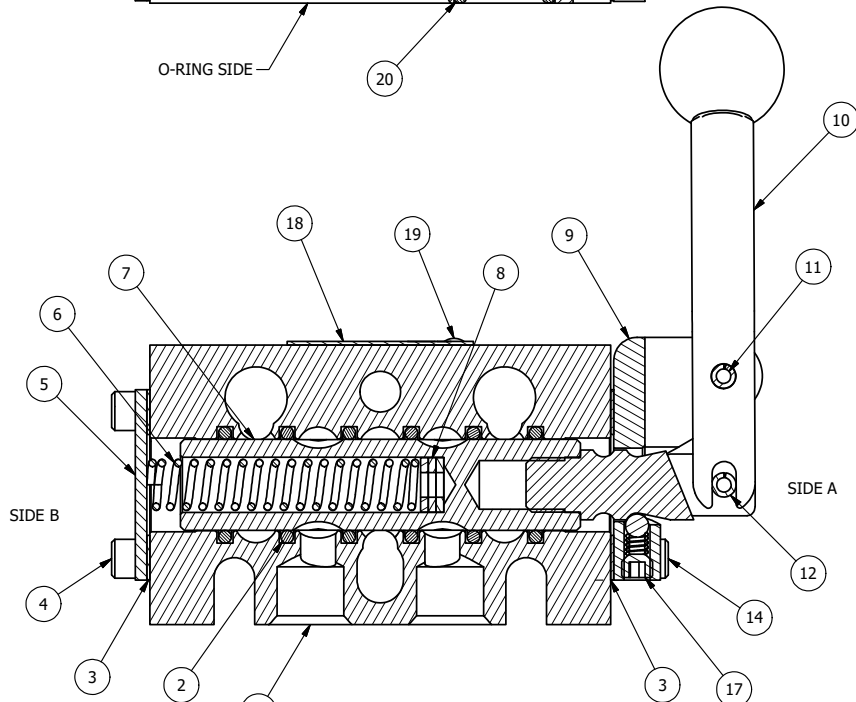
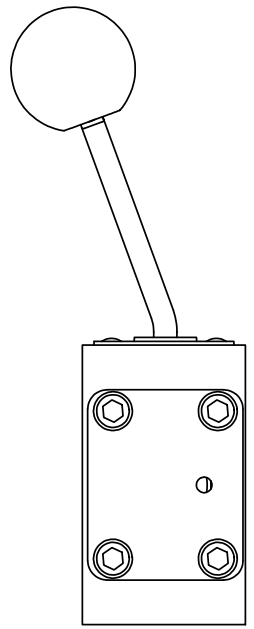


POSITION GASKET ON END OF VALVE TO SEAL PILOT HOLE IF PRESENT, BOTH SIDES (SIDE 'B' SHOWN)



SECTION A-A  
SCALE 1 : 1

NOTES:  
1) ALWAYS GIVE VALVE MODEL AND PART NUMBER WHEN ORDERING PARTS.  
2) LUBRICATE DETENT BALL, SPRING AND CLEVIS.

| FLG | QTY | PART NO    | DESCRIPTION   |
|-----|-----|------------|---|
| 20  | 3   | V-110      | O-RING, BUNA-N, 70 DURO, AS-114, (REF 5/8 X 13/16 X 3/32), 1/4" SLEEVE, 1/2" SUB, STACK |
| 19  | 2   | V-212      | SCREW, #2 X 3/16 DRIVE, TYPE U, OVAL HEAD, STAINLESS STEEL                              |
| 18  | 1   | AN-114     | NAMEPLATE, BLANK, FOR VALVES WITH SPRINGS OR DETENTS                                    |
| 17  | 1   | V-21       | SCREW, 1/4-20 X 3/16, SOCKET SET, CUP POINT   |
| 16  | 1   | DS3        | SPRING - DETENT, 1/4" & 3/8" VALVE  |
| 15  | 1   | V-14       | BALL, CHROME STEEL 3/16 DIA, GRADE 25, FOR DETENT                                       |
| 14  | 4   | V-162      | SCREW, 10-24 X 5/8, SOCKET HEAD CAP   |
| 13  | 1   | HC3-189    | CLEVIS - HAND, 189VY ACTION, 1/4" & 3/8" VALVE  |
| 12  | 1   | V-48       | PIN, ROLL 3/16 X 9/16, STEEL, ZINC PLATED   |
| 11  | 1   | V-542      | PIN, ROLL 3/16 X 1/2 ZINC PLATED STEEL FOR HE3-4 END CAP                                |
| 10  | 1   | HL3-521B20 | HAND LEVER WITH RED KNOB, BENT 20 DEG SIDEWAYS, 1/4" & 3/8" VALVES                      |
| 9   | 1   | HE3-4D     | ENDCAP - HAND, DETENT, 303 STAINLESS, 1/4" & 3/8" STACK VALVE                           |
| 8   | 3   | V-43       | WASHER - SPRING CTR, 302/304 STAINLESS STEEL, 1/4" & 3/8" VALVES                        |
| 7   | 1   | S3         | SPOOL - STANDARD, 2 POS, CLSD CTR, 1/4" & 3/8" VALVE                                    |
| 6   | 1   | CS3-1      | SPRING - CENTERING, 1/4" & 3/8" VALVES  |
| 5   | 1   | SEC3       | END CAP, 304 STAINLESS STEEL, 1/4" & 3/8" VALVE   |
| 4   | 4   | V-37       | SCREW, 10-24 X 1/2, SOCKET HEAD CAP   |
| 3   | 2   | ECG3       | GASKET - END CAP, 1/4" & 3/8" VALVE   |
| 2   | 6   | V-39       | O-RING, VITON, STD BODY, 1/4" & 3/8" VALVES   |
| 1   | 1   | B3-10E     | FINISHED - SOLID BODY, UPPER PILOTS, 3/8" STACKING VALVE                                |

LIMITS ON DIMENSIONS  
UNLESS OTHERWISE SPECIFIED  
2-PL DECIMAL ± .01  
3-PL DECIMAL ± .005  
FRACTIONAL ± 1/64  
ANGULAR ± 1/2°

**AAA PRODUCTS INTERNATIONAL**  
7114 Harry Hines Blvd  
Dallas, TX 75235

DRAWN: RMckenna DATE: 4/1/2023 CHECKED: KWaite DATE: 4/1/2023  
SCALE: 1 : 1 SHEET: 1 OF 1 RELEASED: HWomack DATE: 4/1/2023

TITLE: 3/8" STACK, LEVER, 3 POS, DTNT C, CLSD SPR CTR FRM A, BNT LVR RIGHT, RED KNOB  
PART NO.: BHW3BRJ  
REV.:

THE INFORMATION CONTAINED WITHIN THIS DOCUMENT IS PROPRIETARY TO AAA PRODUCTS AND MAY NOT BE DISCLOSED WITHOUT PRIOR WRITTEN CONSENT

P:\Engineering\product\valves\assembly\lever\HW3\BHW3BRJ.dwg