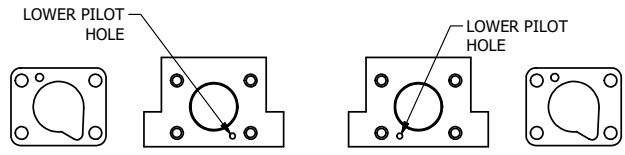
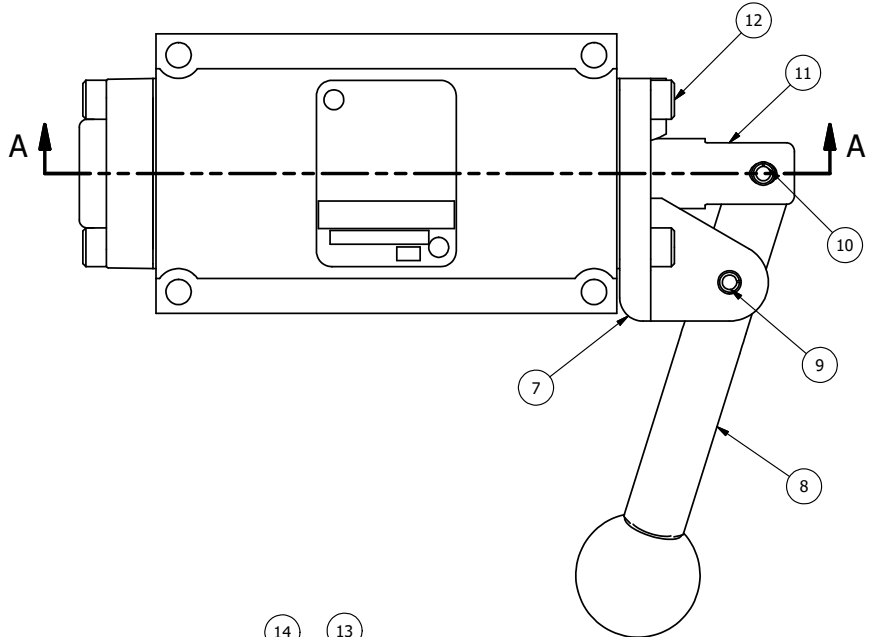


4

3

2

1

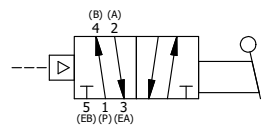
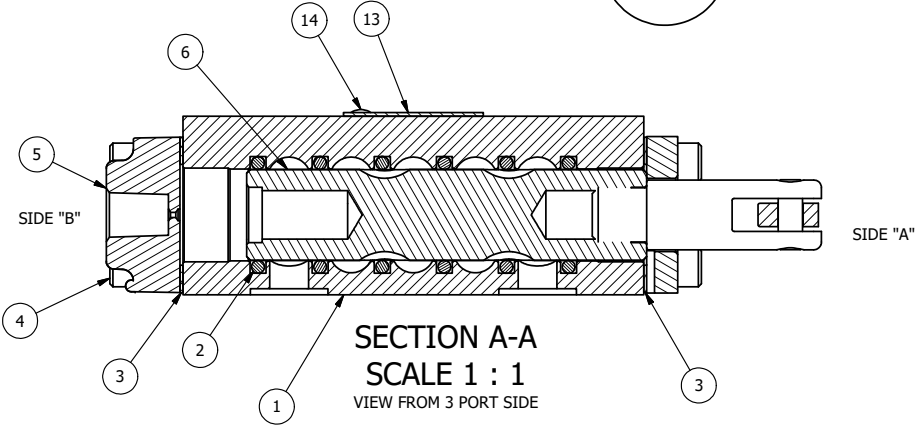


POSITION GASKET TO OPEN LOWER PILOT TO VALVE (SIDE 'B' ONLY)

POSITION GASKET TO BLOCK LOWER PILOT (SIDE 'A' ONLY)

NOTES:  
1) ALWAYS GIVE VALVE MODEL, AND PART NUMBER WHEN ORDERING PARTS.

|     |     |            |  |
|-----|-----|------------|--|
| 15  | 1   | SPK-3      | KIT - SUBPLATE MOUNTING, 3/8" SUBPLATE VALVES                      |
| 14  | 2   | V-212      | SCREW, #2 X 3/16 DRIVE, TYPE U, OVAL HEAD, STAINLESS STEEL         |
| 13  | 1   | AN-115     | NAMEPLATE, BLANK, FOR HE,KE,RR,D,CR,PP,SR,SS VALVES                |
| 12  | 4   | V-162      | SCREW, 10-24 X 5/8, SOCKET HEAD CAP                                |
| 11  | 1   | HC3        | CLEVIS - NO DETENTS, STAINLESS, 1/4" & 3/8" VALVE                  |
| 10  | 1   | V-48       | PIN, ROLL 3/16 X 9/16, STEEL, ZINC PLATED                          |
| 9   | 1   | V-542      | PIN, ROLL 3/16 X 1/2 ZINC PLATED STEEL FOR HE3-4 END CAP           |
| 8   | 1   | HL3-521B20 | HAND LEVER WITH RED KNOB, BENT 20 DEG SIDEWAYS, 1/4" & 3/8" VALVES |
| 7   | 1   | HE3-4      | ENDCAP - HAND OPERATOR, 303 STAINLESS, 1/4" & 3/8" STACK VALVE     |
| 6   | 1   | S3R        | SPOOL - SOLID, STANDARD, 2 POS, CLSD CTR, 1/4" & 3/8" VALVE        |
| 5   | 1   | PEC3       | END CAP, PILOT, 300 AL, 1/4" & 3/8" VALVE                          |
| 4   | 4   | V-38       | SCREW, 10-24 X 3/4, SOCKET HEAD CAP                                |
| 3   | 2   | ECG3       | GASKET - END CAP, 1/4" & 3/8" VALVE                                |
| 2   | 6   | V-39       | O-RING, VITON, STD BODY, 1/4" & 3/8" VALVES                        |
| 1   | 1   | BP3-3E     | BODY - SOLID, PLAIN, LOWER PILOT, 3/8" SUBPLATE VALVE              |
| FLG | QTY | PART NO    | DESCRIPTION  |



|  |                 |  |                        |  |
|--|-----------------|--|------------------------|--|
| LIMITS ON DIMENSIONS UNLESS OTHERWISE SPECIFIED  |                 | 2-PL DECIMAL ± .01<br>3-PL DECIMAL ± .005<br>FRACTIONAL ± 1/64<br>ANGULAR ± 1/2° |                        | <br><b>AAA PRODUCTS INTERNATIONAL</b><br>7114 Harry Hines Blvd<br>Dallas, TX 75235 |
| DRAWN: RMckenna  | DATE: 2/14/2025 | CHECKED: KWaite  | DATE: 2/14/2025        |  |
| SCALE: 1 : 1   | SHEET: 1 OF 1   | RELEASED: HWomack  | DATE: 2/14/2025        |  |
| TITLE:<br>3/8" SUBPLATE, LEVER, 2 POS, FRCTN POS, PILOT RTRN, BNT LVR LFT, RED KNB, 270D LVR |                 |  | PART NO.:<br>HR3PBLJRT | REV.:  |

THE INFORMATION CONTAINED WITHIN THIS DOCUMENT IS PROPRIETARY TO AAA PRODUCTS AND MAY NOT BE DISCLOSED WITHOUT PRIOR WRITTEN CONSENT

D:\Engineering\product\valves\assembly\lever\HR3PBLJRT.dwg