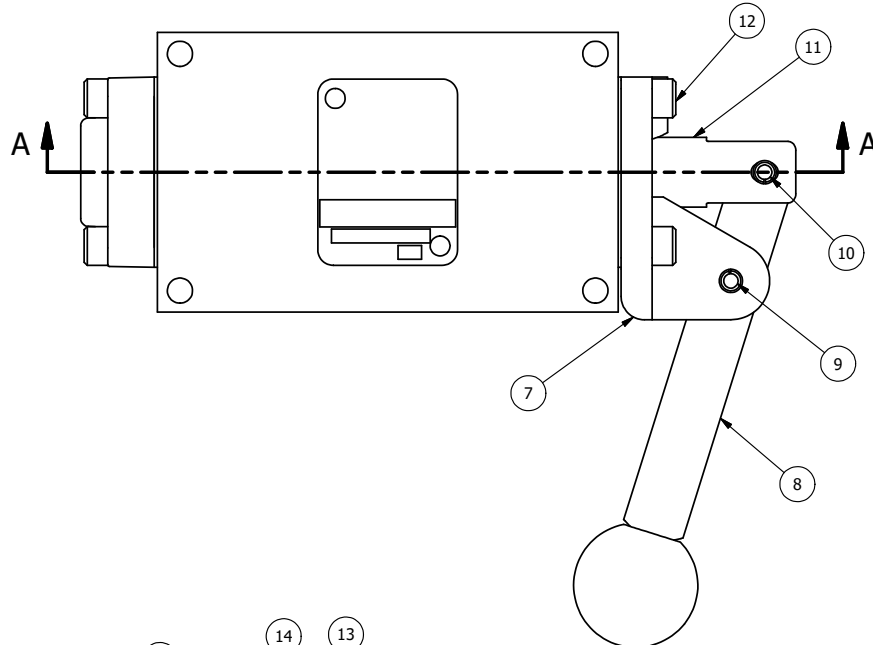


4 | 3 | 2 | 1

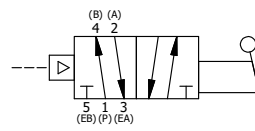
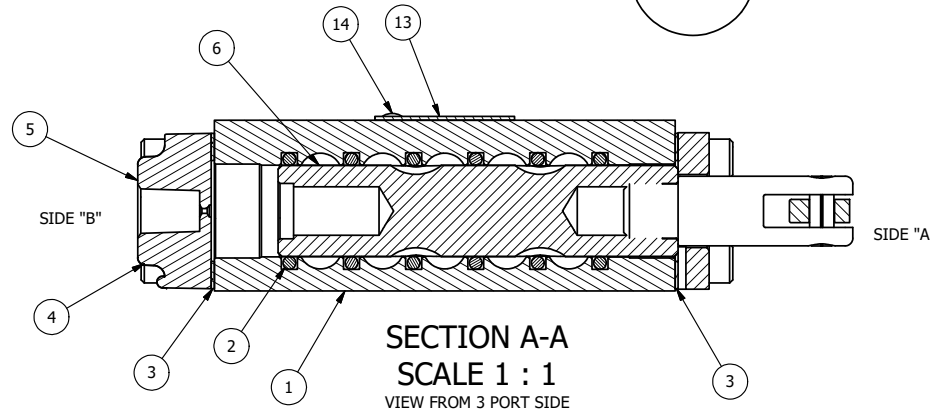


POSITION GASKET ON END OF VALVE SO MOUNTING HOLES ALIGN BOTH ENDS (SIDE 'A' SHOWN)



NOTES:  
1) ALWAYS GIVE VALVE MODEL, AND PART NUMBER WHEN ORDERING PARTS.

|     |     |         |  |
|-----|-----|---------|--|
| 14  | 2   | V-212   | SCREW, #2 X 3/16 DRIVE, TYPE U, OVAL HEAD, STAINLESS STEEL     |
| 13  | 1   | AN-115  | NAMEPLATE, BLANK, FOR HE,KE,RR,D,CR,PP,SR,SS VALVES            |
| 12  | 4   | V-162   | SCREW, 10-24 X 5/8, SOCKET HEAD CAP                            |
| 11  | 1   | HC3     | CLEVIS - NO DETENTS, STAINLESS, 1/4" & 3/8" VALVE              |
| 10  | 1   | V-48    | PIN, ROLL 3/16 X 9/16, STEEL, ZINC PLATED                      |
| 9   | 1   | V-542   | PIN, ROLL 3/16 X 1/2 ZINC PLATED STEEL FOR HE3-4 END CAP       |
| 8   | 1   | HL3-521 | HAND LEVER WITH RED KNOB, 1/4" & 3/8" VALVE                    |
| 7   | 1   | HE3-4   | ENDCAP - HAND OPERATOR, 303 STAINLESS, 1/4" & 3/8" STACK VALVE |
| 6   | 1   | S3R     | SPOOL - SOLID, STANDARD, 2 POS, CLSD CTR, 1/4" & 3/8" VALVE    |
| 5   | 1   | PEC3    | END CAP, PILOT, 300 AL, 1/4" & 3/8" VALVE                      |
| 4   | 4   | V-38    | SCREW, 10-24 X 3/4, SOCKET HEAD CAP                            |
| 3   | 2   | ECG3    | GASKET - END CAP, 1/4" & 3/8" VALVE                            |
| 2   | 6   | V-39    | O-RING, VITON, STD BODY, 1/4" & 3/8" VALVES                    |
| 1   | 1   | B3-2E   | BODY - SOLID, PLAIN, NO PILOTS, ANODIZED, 3/8" SIDE PORT VALVE |
| FLG | QTY | PART NO | DESCRIPTION  |



|  |                 |  |                 |  |
|--|-----------------|--|-----------------|--|
| LIMITS ON DIMENSIONS<br>UNLESS OTHERWISE SPECIFIED   |                 | 2-PL DECIMAL ± .01<br>3-PL DECIMAL ± .005<br>FRACTIONAL ± 1/64<br>ANGULAR ± 1/2° |                 | <b>AAA PRODUCTS INTERNATIONAL</b><br>7114 Harry Hines Blvd<br>Dallas, TX 75235 |
| DRAWN: RMckenna  | DATE: 2/12/2025 | CHECKED: KWaitte   | DATE: 2/12/2025 |  |
| SCALE: 1 : 1   | SHEET: 1 OF 1   | RELEASED: HWomack  | DATE: 2/12/2025 |  |
| TITLE:<br><b>3/8" SIDE PORT, LEVER, 2 POS, FRCTN POS, PILOT RTRN, RED KNB, 270D LVR</b>  |                 |  |                 | PART NO.:<br><b>HR3JRT</b>   |
| THE INFORMATION CONTAINED WITHIN THIS DOCUMENT IS PROPRIETARY TO AAA PRODUCTS AND MAY NOT BE DISCLOSED WITHOUT PRIOR WRITTEN CONSENT |                 |  |                 | REV.:  |

4 | 3 | 2 | 1

P:\Engineering\product\valves\assembly\lever\HR3\G\HR3JRT.dwg