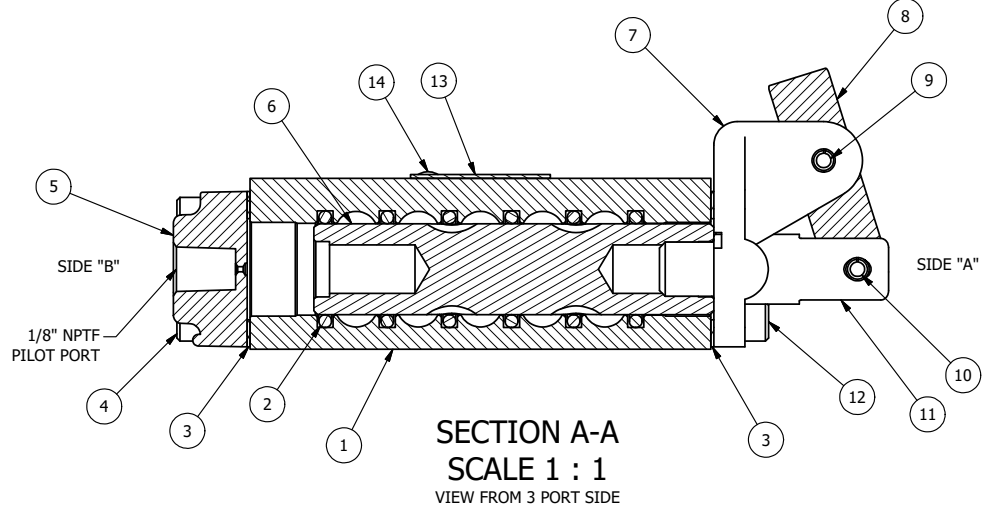


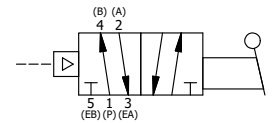
POSITION GASKET ON END OF VALVE SO MOUNTING HOLES ALIGN BOTH ENDS (SIDE 'A' SHOWN)

NOTES:  
1) ALWAYS GIVE VALVE MODEL, AND PART NUMBER WHEN ORDERING PARTS.



| FLG | QTY | PART NO    | DESCRIPTION  |
|-----|-----|------------|--|
| 14  | 2   | V-212      | SCREW, #2 X 3/16 DRIVE, TYPE U, OVAL HEAD, STAINLESS STEEL         |
| 13  | 1   | AN-115     | NAMEPLATE, BLANK, FOR HE,KE,RR,D,CR,PP,SR,SS VALVES                |
| 12  | 4   | V-162      | SCREW, 10-24 X 5/8, SOCKET HEAD CAP                                |
| 11  | 1   | HC3        | CLEVIS - NO DETENTS, STAINLESS, 1/4" & 3/8" VALVE                  |
| 10  | 1   | V-48       | PIN, ROLL 3/16 X 9/16, STEEL, ZINC PLATED                          |
| 9   | 1   | V-508      | PIN, ROLL 3/16 X 5/8 ZINC PLATED STEEL FOR 1/4 FOOT ENDCAP         |
| 8   | 1   | HL3-521B20 | HAND LEVER WITH RED KNOB, BENT 20 DEG SIDEWAYS, 1/4" & 3/8" VALVES |
| 7   | 1   | HE3-5      | END CAP, LEVER, 303 STAINLESS, 1/4" & 3/8" VALVE                   |
| 6   | 1   | S3R        | SPOOL - SOLID, STANDARD, 2 POS, CLSD CTR, 1/4" & 3/8" VALVE        |
| 5   | 1   | PEC3       | END CAP, PILOT, 300 AL, 1/4" & 3/8" VALVE                          |
| 4   | 4   | V-38       | SCREW, 10-24 X 3/4, SOCKET HEAD CAP                                |
| 3   | 2   | ECG3       | GASKET - END CAP, 1/4" & 3/8" VALVE                                |
| 2   | 6   | V-39       | O-RING, VITON, STD BODY, 1/4" & 3/8" VALVES                        |
| 1   | 1   | B3-2E      | BODY - SOLID, PLAIN, NO PILOTS, ANODIZED, 3/8" SIDE PORT VALVE     |

|  |                 |  |                             |  |
|--|-----------------|--|-----------------------------|--|
| LIMITS ON DIMENSIONS<br>UNLESS OTHERWISE SPECIFIED   |                 | 2-PL DECIMAL ± .01<br>3-PL DECIMAL ± .005<br>FRACTIONAL ± 1/64<br>ANGULAR ± 1/2° |                             | <b>AAA PRODUCTS INTERNATIONAL</b><br>7114 Harry Hines Blvd<br>Dallas, TX 75235 |
| DRAWN: RMckenna  | DATE: 2/14/2025 | CHECKED: KWaite  | DATE: 2/14/2025             |  |
| SCALE: 1 : 1   | SHEET: 1 OF 1   | RELEASED: HWomack  | DATE: 2/14/2025             |  |
| TITLE:<br><b>3/8" SIDE PORT, LEVER, 2 POS,<br/>FRCTN POS, PILOT RTRN,<br/>BNT LVR LFT, HVY DTY, RED KNOB</b> |                 |  | PART NO.:<br><b>HR3BLHJ</b> | REV.:  |



THE INFORMATION CONTAINED WITHIN THIS DOCUMENT IS PROPRIETARY TO AAA PRODUCTS AND MAY NOT BE DISCLOSED WITHOUT PRIOR WRITTEN CONSENT