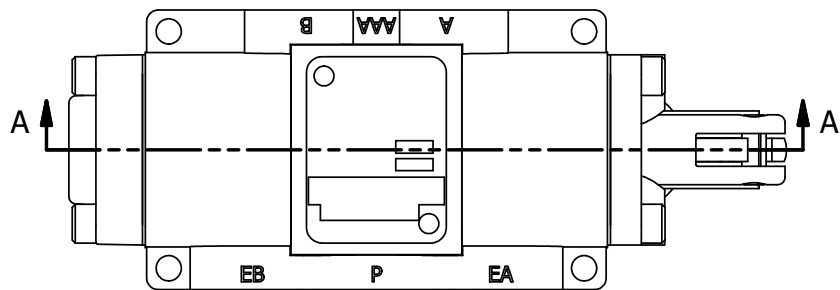
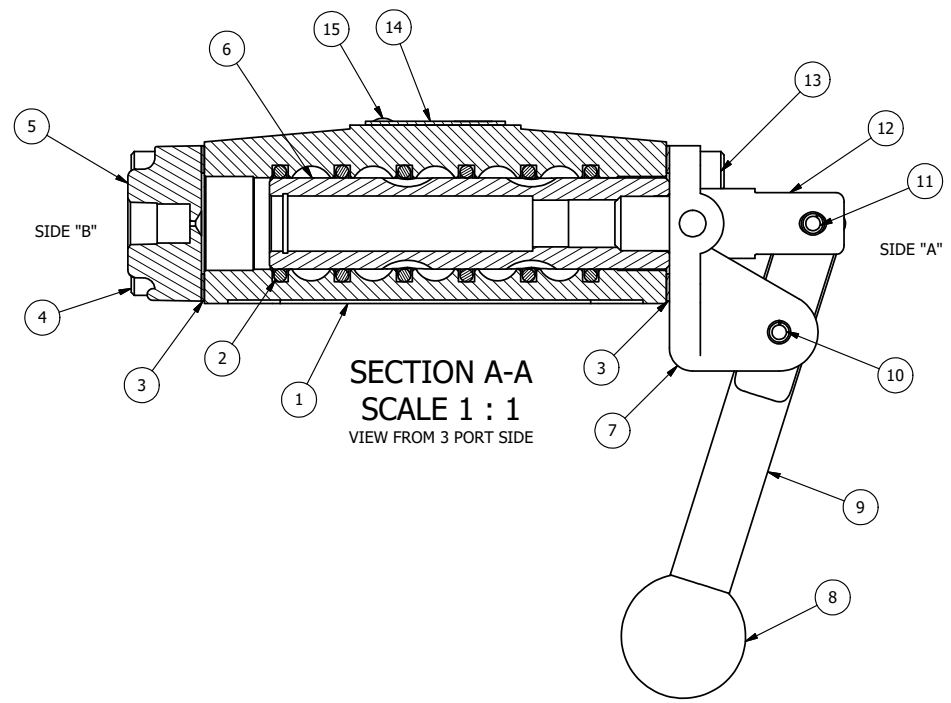


4 | | 3 | | 2 | | 1



POSITION GASKET ON END OF VALVE SO MOUNTING HOLES ALIGN BOTH ENDS (SIDE 'A' SHOWN)

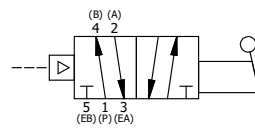
NOTES:
 1) ALWAYS GIVE VALVE MODEL, AND PART NUMBER WHEN ORDERING PARTS.
 2) APPLY ANTI-SEIZE COMPOUND LIGHTLY TO THE FIRST 1/4" OF THE SCREW THREAD. APPLICATION SHOULD BE AROUND THE THREAD OF THE SCREW.



SECTION A-A
 SCALE 1 : 1
 VIEW FROM 3 PORT SIDE

| | | | |
|-----|-----|----------|---|
| 15 | 2 | V-212 | SCREW, #2 X 3/16 DRIVE, TYPE U, OVAL HEAD, STAINLESS STEEL |
| 14 | 1 | AN-106 | NAMEPLATE, BLANK, STAINLESS STEEL |
| 13 | 4 | V-162-SS | SCREW, 10-24 X 5/8, SOCKET HEAD CAP, STAINLESS STEEL |
| 12 | 1 | HC3 | CLEVIS - NO DETENTS, STAINLESS, 1/4" & 3/8" VALVE |
| 11 | 1 | V-48-SS | PIN, ROLL 3/16 X 9/16 18-8 STAINLESS |
| 10 | 1 | V-508-SS | PIN, ROLL 3/16 X 5/8", 18-8 SS |
| 9 | 1 | HL3-SS | HAND LEVER, 303 STAINLESS STEEL, 1/4" & 3/8" VALVE |
| 8 | 1 | V-521 | KNOB, RED (BRASS 3/8-16 INSERT), 1" DIA BALL, 1/4" & 3/8" VALVE |
| 7 | 1 | HE3-5 | END CAP, LEVER, 303 STAINLESS, 1/4" & 3/8" VALVE |
| 6 | 1 | SSH3-SS | SPOOL - STANDARD, 2 POS, CLSD CTR, STAINLESS, 1/4" & 3/8" VALVE |
| 5 | 1 | PEC3-11 | END CAP, PILOT, STAINLESS STEEL, 1/4" & 3/8" VALVE |
| 4 | 4 | V-38-SS | SCREW, 10-24 X 3/4, SOCKET HEAD CAP, 18-8 SS |
| 3 | 2 | ECG3 | GASKET - END CAP, 1/4" & 3/8" VALVE |
| 2 | 6 | V-39 | O-RING, VITON, STD BODY, 1/4" & 3/8" VALVES |
| 1 | 1 | B2-2-SS | BODY - STAINLESS STEEL, PLAIN, NO PILOTS, 1/4" SIDE PORT VALVE |
| FLG | QTY | PART NO | DESCRIPTION |

| | | | | |
|---|-----------------|--|----------------------|--|
| LIMITS ON DIMENSIONS UNLESS OTHERWISE SPECIFIED | | 2-PL DECIMAL ± .01 3-PL DECIMAL ± .005 FRACTIONAL ± 1/64 ANGULAR ± 1/2° | | AAA PRODUCTS INTERNATIONAL 7114 Harry Hines Blvd Dallas, TX 75235 |
| DRAWN: RMckenna | DATE: 2/15/2025 | CHECKED: KWaite | DATE: 2/15/2025 | |
| SCALE: 1 : 1 | SHEET: 1 OF 1 | RELEASED: HWomack | DATE: 2/15/2025 | |
| TITLE: 1/4" SIDE PORT, LEVER, 2 POS, FRCTN POS, PILOT RTRN, STAINLESS, RED KNB, 180D LVR | | | PART NO.: HR2JTSS | REV.: |



4 | | 3 | | 2 | | 1

THE INFORMATION CONTAINED WITHIN THIS DOCUMENT IS PROPRIETARY TO AAA PRODUCTS AND MAY NOT BE DISCLOSED WITHOUT PRIOR WRITTEN CONSENT

D:\Engineering\product\valves\assembly\lever\HR2JTSS.dwg