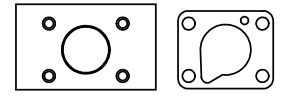
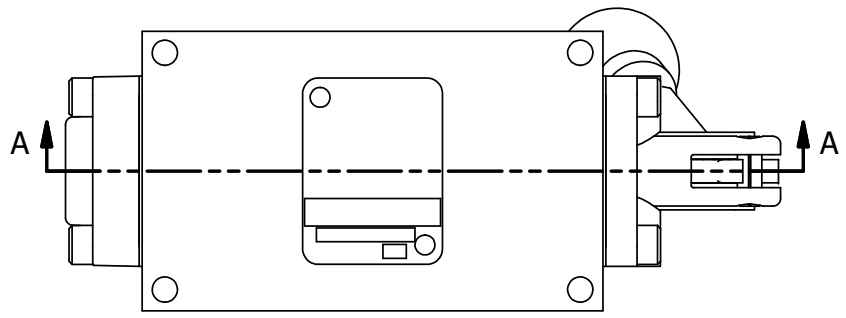
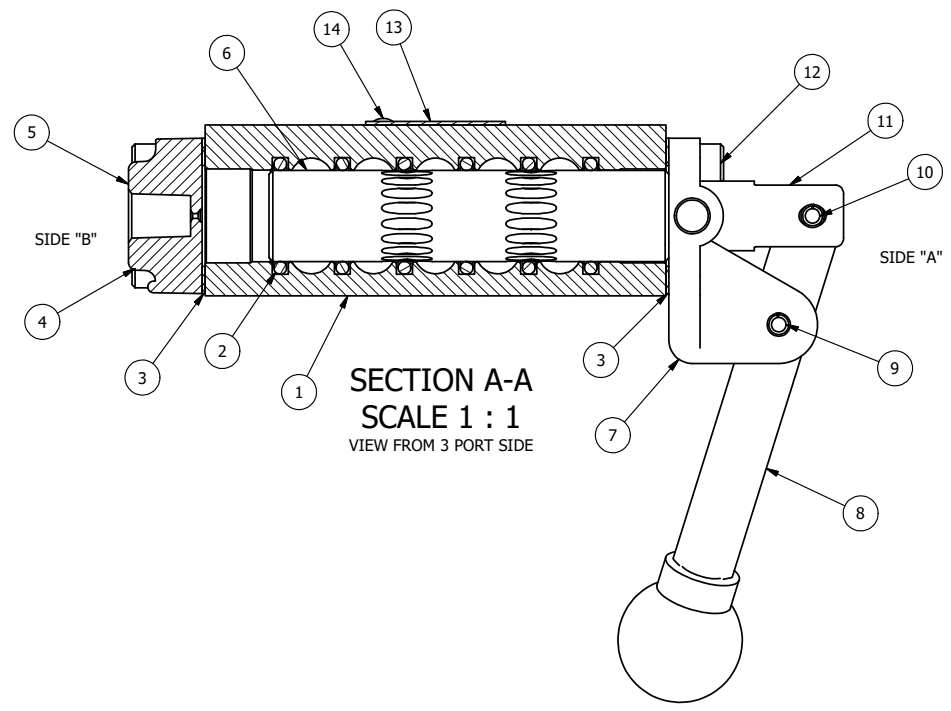


4 | 3 | 2 | 1



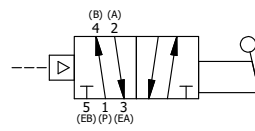
POSITION GASKET ON END OF VALVE SO MOUNTING HOLES ALIGN BOTH ENDS (SIDE 'A' SHOWN)

NOTES:  
1) ALWAYS GIVE VALVE MODEL, AND PART NUMBER WHEN ORDERING PARTS.



| FLG | QTY | PART NO   | DESCRIPTION  |
|-----|-----|-----------|--|
| 14  | 2   | V-212     | SCREW, #2 X 3/16 DRIVE, TYPE U, OVAL HEAD, STAINLESS STEEL     |
| 13  | 1   | AN-115    | NAMEPLATE, BLANK, FOR HE,KE,RR,D,CR,PP,SR,SS VALVES            |
| 12  | 4   | V-162     | SCREW, 10-24 X 5/8, SOCKET HEAD CAP                            |
| 11  | 1   | HC3-1LOC  | CLEVIS - POS. C LOCKOUT, STAINLESS, 1/4" & 3/8" VALVE          |
| 10  | 1   | V-48      | PIN, ROLL 3/16 X 9/16, STEEL, ZINC PLATED                      |
| 9   | 1   | V-508     | PIN, ROLL 3/16 X 5/8 ZINC PLATED STEEL FOR 1/4 FOOT ENDCAP     |
| 8   | 1   | HL3-24B20 | HAND LEVER WITH KNOB, BENT 20 DEG SIDEWAYS, 1/4" & 3/8" VALVES |
| 7   | 1   | HE3-5LO   | END CAP, LEVER, 303 STAINLESS, LOCKOUT, 1/4" & 3/8" VALVES     |
| 6   | 1   | S3R       | SPOOL - SOLID, STANDARD, 2 POS, CLSD CTR, 1/4" & 3/8" VALVE    |
| 5   | 1   | PEC3      | END CAP, PILOT, 300 AL, 1/4" & 3/8" VALVE                      |
| 4   | 4   | V-38      | SCREW, 10-24 X 3/4, SOCKET HEAD CAP                            |
| 3   | 2   | ECG3      | GASKET - END CAP, 1/4" & 3/8" VALVE                            |
| 2   | 6   | V-39      | O-RING, VITON, STD BODY, 1/4" & 3/8" VALVES                    |
| 1   | 1   | B2-2E     | BODY - SOLID, PLAIN, NO PILOTS, ANODIZED, 1/4" SIDE PORT VALVE |

|  |  |  |  |  |                 |
|--|--|--|--|--|-----------------|
| LIMITS ON DIMENSIONS<br>UNLESS OTHERWISE SPECIFIED   |  | 2-PL DECIMAL ± .01<br>3-PL DECIMAL ± .005<br>FRACTIONAL ± 1/64<br>ANGULAR ± 1/2° |  | <b>AAA PRODUCTS INTERNATIONAL</b><br>7114 Harry Hines Blvd<br>Dallas, TX 75235 |                 |
| DRAWN: RMckenna  |  | DATE: 2/15/2025  |  |  | CHECKED: KWaite |
| SCALE: 1 : 1   |  | SHEET: 1 OF 1  |  | RELEASED: HWomack  | DATE: 2/15/2025 |
| TITLE:<br>1/4" SIDE PORT, LEVER, 2 POS,<br>FRCTN POS, PILOT RTRN, BNT LVR LFT,<br>HVY DTY, LOCKOUT C, 180D LVR |  |  |  | PART NO.:  | REV.:           |
|  |  |  |  | HR2BLHLOT  |                 |



4 | 3 | 2 | 1

THE INFORMATION CONTAINED WITHIN THIS DOCUMENT IS PROPRIETARY TO AAA PRODUCTS AND MAY NOT BE DISCLOSED WITHOUT PRIOR WRITTEN CONSENT

D:\Engineering\product\valves\assembly\lever\HR2BLHLOT.dwg