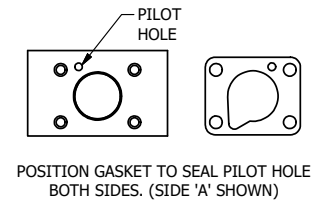
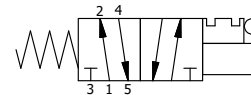
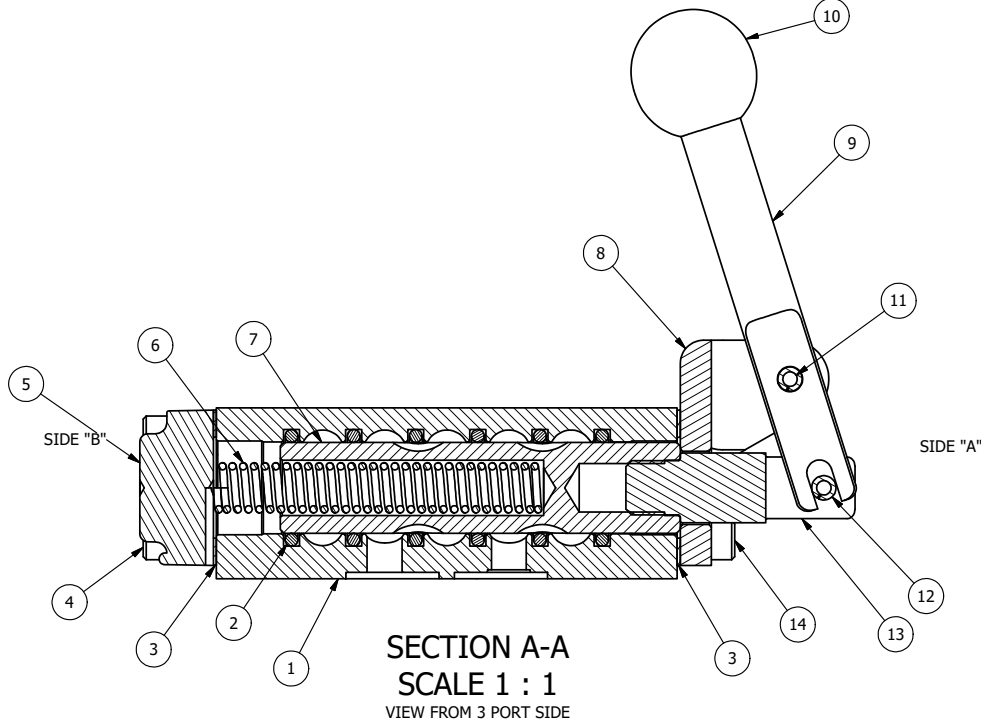



MARK VALVE USING 1/8" LETTERS WHERE XX IS THE DATE CODE



NOTES:  
1) ALWAYS GIVE VALVE MODEL, AND PART NUMBER WHEN ORDERING PARTS.

|     |     |          |  |
|-----|-----|----------|--|
| 20  | 1   | ZNSPK-2  | KIT - SUBPLATE MOUNTING, BRASS NAMUR, (2 EA V-618-SS SCREW, 2 EA V-565 O-RING) |
| 19  | 1   | V-175    | KNOB, BLACK, (BRASS 10-32 INSERT), 3/4 DIA BALL, PIN LOCK                      |
| 18  | 1   | V-315-SS | PIN, PIN LOCK, 303 STAINLESS, 1/4" & 3/8" VALVE                                |
| 17  | 1   | BBSS-1   | SPRING - BUTTON BLEEDER, STAINLESS STEEL, 1/8" NPTF                            |
| 16  | 1   | V-548    | O-RING, BUNA-N, 70 DURO, 6MM X 1MM, NAMUR PLUG                                 |
| 15  | 1   | V-547    | PLUG, 360 HALF HARD BRASS, NAMUR VALVE   |
| 14  | 4   | V-162-SS | SCREW, 10-24 X 5/8, SOCKET HEAD CAP, STAINLESS STEEL                           |
| 13  | 1   | HC3-2PL  | CLEVIS - POS. A & C PINLOCKS, STAINLESS, 1/4" & 3/8" VALVE                     |
| 12  | 1   | V-48-SS  | PIN, ROLL 3/16 X 9/16 18-8 STAINLESS   |
| 11  | 1   | V-508-SS | PIN, ROLL 3/16 X 5/8", 18-8 SS   |
| 10  | 1   | V-580    | KNOB, BLACK (BRASS 3/8-16 INSERT), 1" DIA BALL                                 |
| 9   | 1   | HL3-SS   | HAND LEVER, 303 STAINLESS STEEL, 1/4" & 3/8" VALVE                             |
| 8   | 1   | HE3-5PLL | END CAP, LEVER, PIN LOCK, LEFT, 303 STAINLESS STEEL, 1/4" & 3/8" VALVE         |
| 7   | 1   | S3       | SPOOL - STANDARD, 2 POS, CLSD CTR, 1/4" & 3/8" VALVE                           |
| 6   | 1   | CS3      | SPRING - RETURN, (EXCEPT HO, KO & PO) 1/4" & 3/8" VALVES                       |
| 5   | 1   | SEC3-3   | END CAP, VENTED, STAINLESS STEEL, 1/4" & 3/8" VALVES                           |
| 4   | 4   | V-38-SS  | SCREW, 10-24 X 3/4, SOCKET HEAD CAP, 18-8 SS                                   |
| 3   | 2   | ECG3     | GASKET - END CAP, 1/4" & 3/8" VALVE  |
| 2   | 6   | V-39     | O-RING, VITON, STD BODY, 1/4" & 3/8" VALVES                                    |
| 1   | 1   | Z2-11    | BODY - BRASS, UPPER PILOTS (BUTTON BLEEDER), 1/4" NAMUR                        |
| FLG | QTY | PART NO  | DESCRIPTION  |



|  |                 |  |                     |  |  |
|--|-----------------|--|---------------------|--|--|
| LIMITS ON DIMENSIONS<br>UNLESS OTHERWISE SPECIFIED   |                 | 2-PL DECIMAL ± .01<br>3-PL DECIMAL ± .005<br>FRACTIONAL ± 1/64<br>ANGULAR ± 1/2° |                     |  <b>AAA PRODUCTS INTERNATIONAL</b><br>7114 Harry Hines Blvd<br>Dallas, TX 75235 |  |
| DRAWN: RMckenna  | DATE: 8/26/2015 | CHECKED: KWaite  | DATE: 8/27/2015     |  |  |
| SCALE: 1:1   | SHEET: 1 OF 1   | RELEASED: HWomack  | DATE: 8/27/2015     |  |  |
| TITLE:<br>1/4" NAMUR, LEVER, 2 POS,<br>SPRING RTRN, PIN LOCK POS A & C,<br>BRASS & STAINLESS |                 |  | PART NO.:<br>ZNH02E | REV.:  |  |

THE INFORMATION CONTAINED WITHIN THIS DOCUMENT IS PROPRIETARY TO AAA PRODUCTS AND MAY NOT BE DISCLOSED WITHOUT PRIOR WRITTEN CONSENT