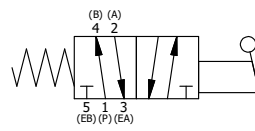
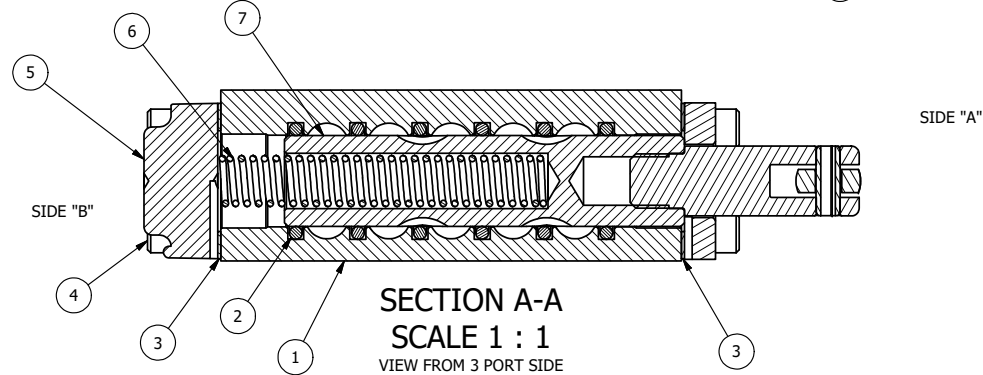


POSITION GASKET ON END OF VALVE SO MOUNTING HOLES ALIGN BOTH ENDS (SIDE 'A' SHOWN)

NOTES:  
1) ALWAYS GIVE VALVE MODEL, AND PART NUMBER WHEN ORDERING PARTS.

| FLG | QTY | PART NO  | DESCRIPTION   |
|-----|-----|----------|---|
| 14  | 4   | V-162-SS | SCREW, 10-24 X 5/8, SOCKET HEAD CAP, STAINLESS STEEL                |
| 13  | 1   | HC3      | CLEVIS - NO DETENTS, STAINLESS, 1/4" & 3/8" VALVE                   |
| 12  | 1   | V-48-SS  | PIN, ROLL 3/16 X 9/16 18-8 STAINLESS                                |
| 11  | 1   | V-542-SS | PIN, ROLL 3/16 X 1/2 NON-MAGNETIC STAINLESS STEEL FOR HE3-4 END CAP |
| 10  | 1   | HL3-SS   | HAND LEVER, 303 STAINLESS STEEL, 1/4" & 3/8" VALVE                  |
| 9   | 1   | V-521    | KNOB, RED (BRASS 3/8-16 INSERT), 1" DIA BALL, 1/4" & 3/8" VALVE     |
| 8   | 1   | HE3-4    | ENDCAP - HAND OPERATOR, 303 STAINLESS, 1/4" & 3/8" STACK VALVE      |
| 7   | 1   | S3       | SPOOL - STANDARD, 2 POS, CLSD CTR, 1/4" & 3/8" VALVE                |
| 6   | 1   | CS3-2    | SPRING - RETURN, (HO & KO) 1/4" & 3/8" VALVES                       |
| 5   | 1   | SEC3-3   | END CAP, VENTED, STAINLESS STEEL, 1/4" & 3/8" VALVES                |
| 4   | 4   | V-38-SS  | SCREW, 10-24 X 3/4, SOCKET HEAD CAP, 18-8 SS                        |
| 3   | 2   | ECG3     | GASKET - END CAP, 1/4" & 3/8" VALVE                                 |
| 2   | 6   | V-39     | O-RING, VITON, STD BODY, 1/4" & 3/8" VALVES                         |
| 1   | 1   | ZB2-2    | BODY - BRASS, NO PILOTS, 1/4" SIDE PORT VALVE                       |
| FLG | QTY | PART NO  | DESCRIPTION   |



|  |                  |  |                             |  |
|--|------------------|--|-----------------------------|--|
| LIMITS ON DIMENSIONS UNLESS OTHERWISE SPECIFIED  |                  | 2-PL DECIMAL ± .01<br>3-PL DECIMAL ± .005<br>FRACTIONAL ± 1/64<br>ANGULAR ± 1/2° |                             | <b>AAA PRODUCTS INTERNATIONAL</b><br>7114 Harry Hines Blvd<br>Dallas, TX 75235 |
| DRAWN: RMckenna  | DATE: 11/27/2022 | CHECKED: KWaite  | DATE: 11/27/2022            |  |
| SCALE: 1:1   | SHEET: 1 OF 1    | RELEASED: HWomack  | DATE: 11/27/2022            |  |
| TITLE:<br><b>1/4" SIDE PORT, LEVER, 2 POS, SPR RTRN, BR &amp; SS, RED KNOB, 270D LEVER</b> |                  |  | PART NO.:<br><b>ZHO2JRT</b> | REV.:  |

THE INFORMATION CONTAINED WITHIN THIS DOCUMENT IS PROPRIETARY TO AAA PRODUCTS AND MAY NOT BE DISCLOSED WITHOUT PRIOR WRITTEN CONSENT

P:\Engineering\Products\Assemblies\Level1\PO\DWG\ZHO2JRT.dwg