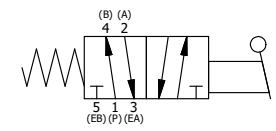
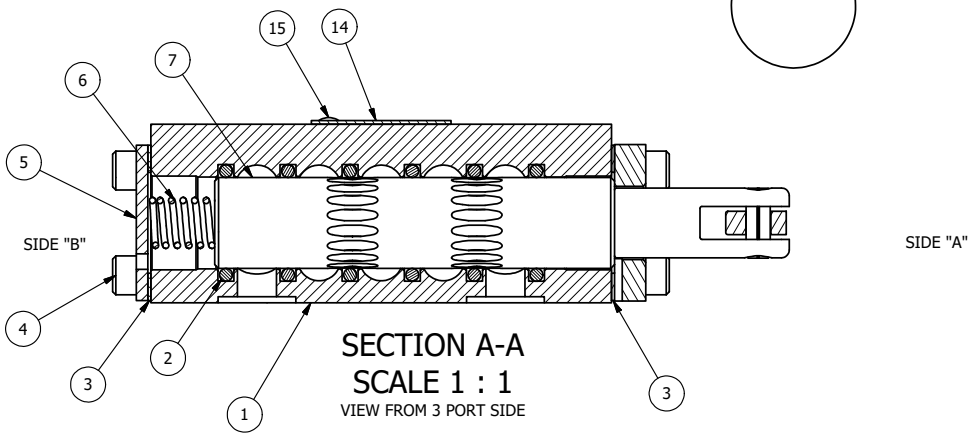


POSITION GASKET ON END OF VALVE SO MOUNTING HOLES ALIGN BOTH ENDS (SIDE 'A' SHOWN)

NOTES:  
1) ALWAYS GIVE VALVE MODEL, AND PART NUMBER WHEN ORDERING PARTS.

|     |     |         |  |
|-----|-----|---------|--|
| 16  | 1   | SPK-3   | KIT - SUBPLATE MOUNTING, 3/8" SUBPLATE VALVES                  |
| 15  | 2   | V-212   | SCREW, #2 X 3/16 DRIVE, TYPE U, OVAL HEAD, STAINLESS STEEL     |
| 14  | 1   | AN-114  | NAMEPLATE, BLANK, FOR VALVES WITH SPRINGS OR DETENTS           |
| 13  | 4   | V-162   | SCREW, 10-24 X 5/8, SOCKET HEAD CAP                            |
| 12  | 1   | HC3     | CLEVIS - NO DETENTS, 1/4" & 3/8" VALVE                         |
| 11  | 1   | V-48    | PIN, ROLL 3/16 X 9/16, STEEL, ZINC PLATED                      |
| 10  | 1   | V-542   | PIN, ROLL 3/16 X 1/2 ZINC PLATED STEEL FOR HE3-4 END CAP       |
| 9   | 1   | HL3-24C | CURVED HAND LEVER WITH KNOB, 1/4" & 3/8" VALVE                 |
| 8   | 1   | HE3-4   | ENDCAP - HAND OPERATOR, 303 STAINLESS, 1/4" & 3/8" STACK VALVE |
| 7   | 1   | S3      | SPOOL - STANDARD, 2 POS, CLSD CTR, 1/4" & 3/8" VALVE           |
| 6   | 1   | CS3-2   | SPRING - RETURN, (HO & KO) 1/4" & 3/8" VALVES                  |
| 5   | 1   | SEC3    | END CAP, 304 STAINLESS STEEL, 1/4" & 3/8" VALVE                |
| 4   | 4   | V-37    | SCREW, 10-24 X 1/2, SOCKET HEAD CAP                            |
| 3   | 2   | ECG3    | GASKET - END CAP, 1/4" & 3/8" VALVE                            |
| 2   | 6   | V-39    | O-RING, VITON, STD BODY, 1/4" & 3/8" VALVES                    |
| 1   | 1   | BP3-2E  | BODY - SOLID, PLAIN, NO PILOTS, ANODIZED, 3/8" SUBPLATE VALVE  |
| FLG | QTY | PART NO | DESCRIPTION  |



|  |                |  |                |  |
|--|----------------|--|----------------|--|
| LIMITS ON DIMENSIONS UNLESS OTHERWISE SPECIFIED                                    |                | 2-PL DECIMAL ± .01<br>3-PL DECIMAL ± .005<br>FRACTIONAL ± 1/64<br>ANGULAR ± 1/2° |                | <b>AAA PRODUCTS INTERNATIONAL</b><br>7114 Harry Hines Blvd<br>Dallas, TX 75235 |
| DRAWN: RMckenna  | DATE: 6/2/2022 | CHECKED: KWaite  | DATE: 6/2/2022 |  |
| SCALE: 1:1   | SHEET: 1 OF 1  | RELEASED: HWomack  | DATE: 6/2/2022 |  |
| TITLE:<br><b>3/8" SUBPLATE, LEVER, 2 POS,<br/>SPR RTRN, CRVD LVR,<br/>270D LVR</b> |                | PART NO.:  | HO3PCRT        | REV.:  |

THE INFORMATION CONTAINED WITHIN THIS DOCUMENT IS PROPRIETARY TO AAA PRODUCTS AND MAY NOT BE DISCLOSED WITHOUT PRIOR WRITTEN CONSENT

D:\Engineering\Products\Valves\Assembly\lever\HO3\HO3PCRT.dwg