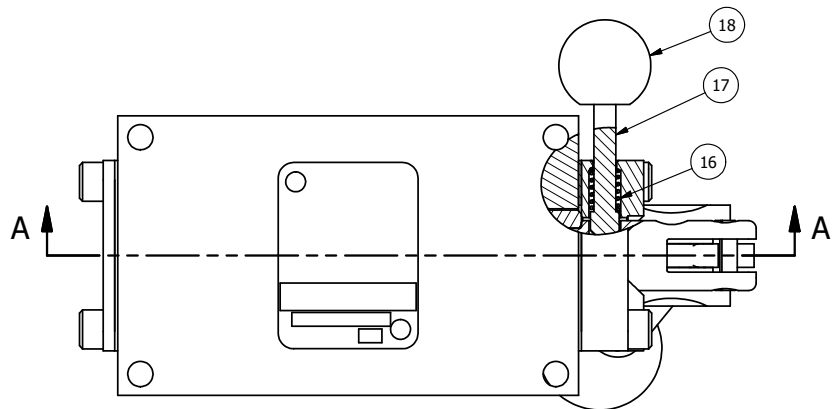
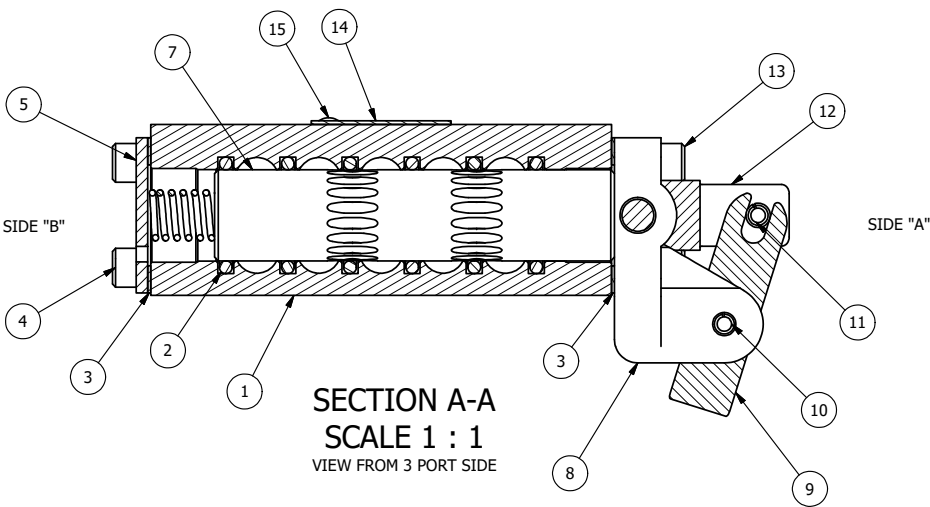


4 | 3 | 2 | 1



POSITION GASKET ON END OF VALVE SO MOUNTING HOLES ALIGN BOTH ENDS (SIDE 'A' SHOWN)

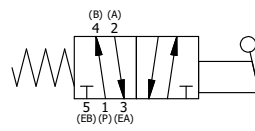


**SECTION A-A**  
SCALE 1 : 1  
VIEW FROM 3 PORT SIDE

NOTES:  
1) ALWAYS GIVE VALVE MODEL, AND PART NUMBER WHEN ORDERING PARTS.

| FLG | QTY | PART NO    | DESCRIPTION  |
|-----|-----|------------|--|
| 18  | 1   | V-175      | KNOB, BLACK, (BRASS 10-32 INSERT), 3/4 DIA BALL, PIN LOCK          |
| 17  | 1   | V-315-SS   | PIN, PIN LOCK, 303 STAINLESS, 1/4" & 3/8" VALVE                    |
| 16  | 1   | BBSS-1     | SPRING - BUTTON BLEEDER, STAINLESS STEEL, 1/8" NPTF                |
| 15  | 2   | V-212      | SCREW, #2 X 3/16 DRIVE, TYPE U, OVAL HEAD, STAINLESS STEEL         |
| 14  | 1   | AN-114     | NAMEPLATE, BLANK, FOR VALVES WITH SPRINGS OR DETENTS               |
| 13  | 4   | V-38       | SCREW, 10-24 X 3/4, SOCKET HEAD CAP                                |
| 12  | 1   | HC3-2PL    | CLEVIS - POS. A & C PINLOCKS, 1/4" & 3/8" VALVE                    |
| 11  | 1   | V-48       | PIN, ROLL 3/16 X 9/16, STEEL, ZINC PLATED                          |
| 10  | 1   | V-7        | PIN, ROLL 3/16 X 11/16, STEEL, FOR 1/4 THRU 1/2" HAND, FT & CAM V  |
| 9   | 1   | HL3-521B20 | HAND LEVER WITH RED KNOB, BENT 20 DEG SIDEWAYS, 1/4" & 3/8" VALVES |
| 8   | 1   | HE3-3PLL   | END CAP, LEVER, PIN LOCK, LEFT, 380 AL, 1/4" & 3/8" VALVES         |
| 7   | 1   | S3         | SPOOL - STANDARD, 2 POS, CLSD CTR, 1/4" & 3/8" VALVE               |
| 6   | 1   | CS3-2      | SPRING - RETURN, (HO & KO) 1/4" & 3/8" VALVES                      |
| 5   | 1   | SEC3       | END CAP, 304 STAINLESS STEEL, 1/4" & 3/8" VALVE                    |
| 4   | 4   | V-37       | SCREW, 10-24 X 1/2, SOCKET HEAD CAP                                |
| 3   | 2   | ECG3       | GASKET - END CAP, 1/4" & 3/8" VALVE                                |
| 2   | 6   | V-39       | O-RING, VITON, STD BODY, 1/4" & 3/8" VALVES                        |
| 1   | 1   | B3-2E      | BODY - SOLID, PLAIN, NO PILOTS, ANODIZED, 3/8" SIDE PORT VALVE     |

|   |                  |  |                              |  |
|---|------------------|--|------------------------------|--|
| LIMITS ON DIMENSIONS<br>UNLESS OTHERWISE SPECIFIED  |                  | 2-PL DECIMAL ± .01<br>3-PL DECIMAL ± .005<br>FRACTIONAL ± 1/64<br>ANGULAR ± 1/2° |                              | <b>AAA PRODUCTS INTERNATIONAL</b><br>7114 Harry Hines Blvd<br>Dallas, TX 75235 |
| DRAWN: RMckenna   | DATE: 11/29/2022 | CHECKED: KWaite  | DATE: 11/29/2022             |  |
| SCALE: 1 : 1  | SHEET: 1 OF 1    | RELEASED: HWomack  | DATE: 11/29/2022             |  |
| TITLE:<br><b>3/8" SIDE PORT, LEVER, 2 POS,<br/>SPR RTRN, BNT LVR RT,<br/>PIN LOCK A &amp; C, RED KNOB, 180D LVR</b> |                  |  | PART NO.:<br><b>HO3BREJT</b> | REV.:  |



4 | 3 | 2 | 1

THE INFORMATION CONTAINED WITHIN THIS DOCUMENT IS PROPRIETARY TO AAA PRODUCTS AND MAY NOT BE DISCLOSED WITHOUT PRIOR WRITTEN CONSENT

D:\Engineering\Products\Assemblies\lever\HO3BREJT.dwg