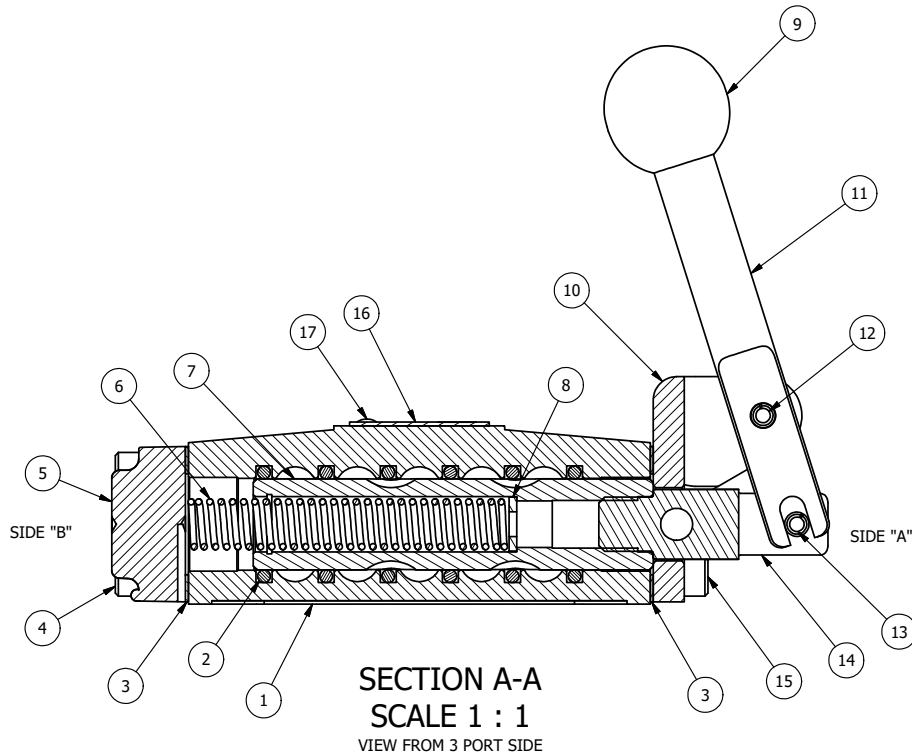


POSITION GASKET ON END OF VALVE SO MOUNTING HOLES ALIGN BOTH ENDS (SIDE 'A' SHOWN)

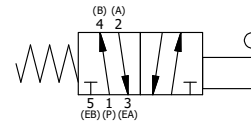
NOTES:

- 1) ALWAYS GIVE VALVE MODEL, AND PART NUMBER WHEN ORDERING PARTS.
- 2) APPLY ANTI-SEIZE COMPOUND LIGHTLY TO THE FIRST 1/4" OF THE SCREW THREAD. APPLICATION SHOULD BE AROUND THE THREAD OF THE SCREW.
- 3) USE MASTER LOCK #7LJKAP176 (ORDERED SEPERATELY, #7LJ KEYPED ALIKE - KAP176).
- 4) FOR MULTIPLE LOCKS, USE LOCKOUT HASP LO23 (ORDERED SEPERATELY).



| FLG | QTY | PART NO | DESCRIPTION |
|-----|-----|----------|--|
| 17 | 2 | V-212 | SCREW, #2 X 3/16 DRIVE, TYPE U, OVAL HEAD, STAINLESS STEEL |
| 16 | 1 | AN-106 | NAMEPLATE, BLANK, STAINLESS STEEL |
| 15 | 4 | V-162-SS | SCREW, 10-24 X 5/8, SOCKET HEAD CAP, STAINLESS STEEL |
| 14 | 1 | HC3-1LOC | CLEVIS - POS. C LOCKOUT, STAINLESS, 1/4" & 3/8" VALVE |
| 13 | 1 | V-48-SS | PIN, ROLL 3/16 X 9/16 18-8 STAINLESS |
| 12 | 1 | V-508-SS | PIN, ROLL 3/16 X 5/8", 18-8 SS |
| 11 | 1 | HL3-SS | HAND LEVER, 303 STAINLESS STEEL, 1/4" & 3/8" VALVE |
| 10 | 1 | HE3-SLO | END CAP, LEVER, 303 STAINLESS, LOCKOUT, 1/4" & 3/8" VALVES |
| 9 | 1 | V-580 | KNOB, BLACK (BRASS 3/8-16 INSERT), 1" DIA BALL |
| 8 | 1 | V-43 | WASHER - SPRING CTR, 302/304 STAINLESS STEEL, 1/4" & 3/8" VALVES |
| 7 | 1 | SSH3-SS | SPOOL - STANDARD, 2 POS, CLSD CTR, STAINLESS, 1/4" & 3/8" VALVE |
| 6 | 1 | CS3-2 | SPRING - RETURN, (HO & KO) 1/4" & 3/8" VALVES |
| 5 | 1 | SEC3-3 | END CAP, VENTED, STAINLESS STEEL, 1/4" & 3/8" VALVES |
| 4 | 4 | V-38-SS | SCREW, 10-24 X 3/4, SOCKET HEAD CAP, 18-8 SS |
| 3 | 2 | ECG3 | GASKET - END CAP, 1/4" & 3/8" VALVE |
| 2 | 6 | V-39 | O-RING, VITON, STD BODY, 1/4" & 3/8" VALVES |
| 1 | 1 | B2-2-SS | BODY - STAINLESS STEEL, PLAIN, NO PILOTS, 1/4" SIDE PORT VALVE |

| | | | | |
|--|-----------------|--|-------------------|--|
| LIMITS ON DIMENSIONS UNLESS OTHERWISE SPECIFIED | | 2-PL DECIMAL ± .01 3-PL DECIMAL ± .005 FRACTIONAL ± 1/64 ANGULAR ± 1/2° | | AAA PRODUCTS INTERNATIONAL 7114 Harry Hines Blvd Dallas, TX 75235 |
| DRAWN: RMckenna | DATE: 7/20/2016 | CHECKED: KWaite | DATE: 7/20/2016 | |
| SCALE: 1 : 1 | SHEET: 1 OF 1 | RELEASED: HWomack | DATE: 7/20/2016 | |
| TITLE: 1/4" SIDE PORT, LEVER, 2 POS, SPRING RTRN, LOCKOUT C, STAINLESS | | | PART NO.: HO2LOSS | REV.: A |



| A | NO. | DATE | REVISION |
|---|-----------|--|----------|
| | 8/19/2020 | REPLACED S3-SS WITH SSH3-SS, ADDED V-43. | |

THE INFORMATION CONTAINED WITHIN THIS DOCUMENT IS PROPRIETARY TO AAA PRODUCTS AND MAY NOT BE DISCLOSED WITHOUT PRIOR WRITTEN CONSENT