

4

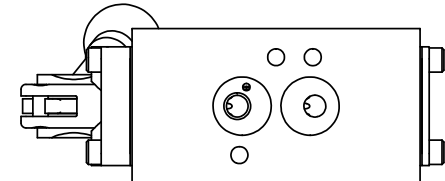
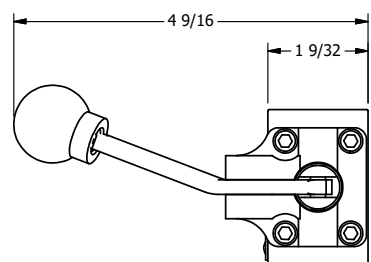
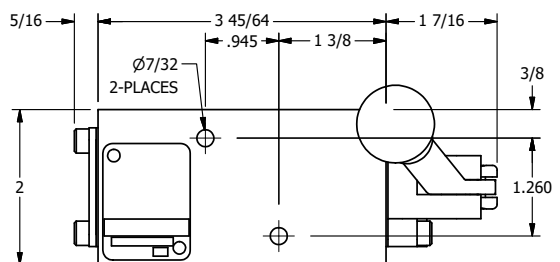
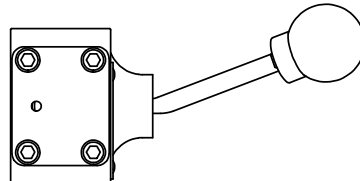
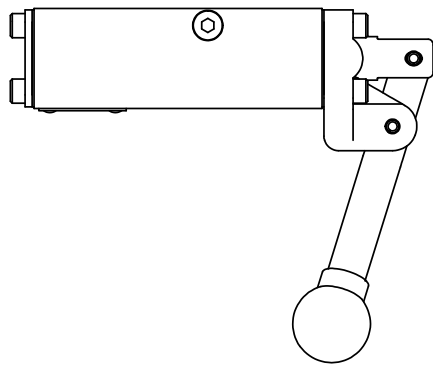
3

2

1

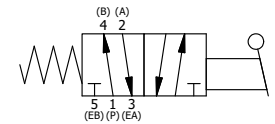
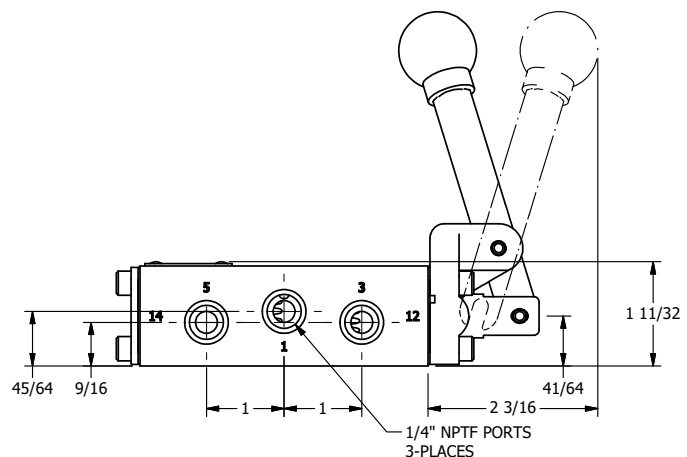
B

B



A

A



**AAA**  
PRODUCTS  
INTERNATIONAL

**AAA PRODUCTS  
INTERNATIONAL**  
7114 Harry Hines Blvd  
Dallas, TX 75235

TITLE: 1/4" NAMUR, LEVER, 2 POS,  
SPRING RTRN

DRAWING NO.:  
DIM\_NHO2BR

4

3

2

1



THE INFORMATION CONTAINED WITHIN THIS DOCUMENT IS PROPRIETARY TO AAA PRODUCTS AND MAY NOT BE DISCLOSED WITHOUT PRIOR WRITTEN CONSENT