

4

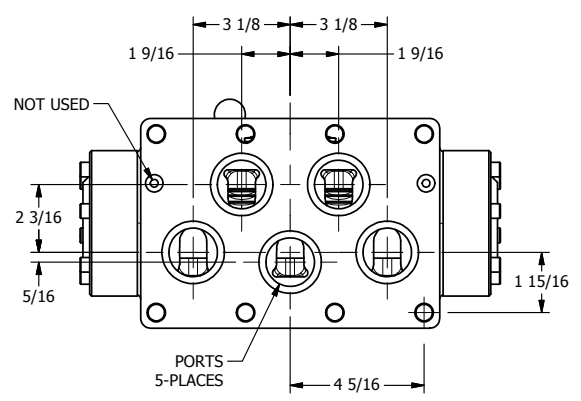
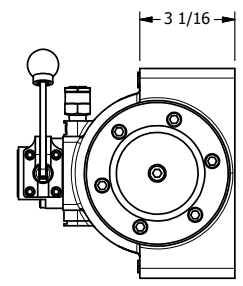
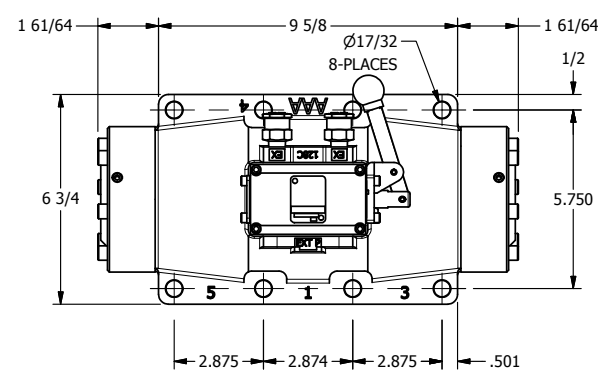
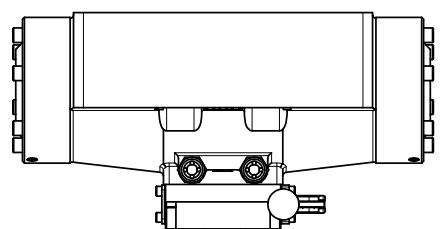
3

2

1

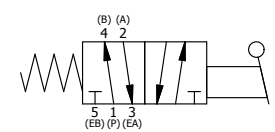
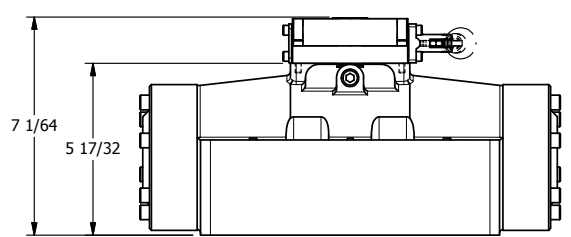
B

B



A

A



4

3

2

1

A

A

**AAA**  
PRODUCTS  
INTERNATIONAL

**AAA PRODUCTS INTERNATIONAL**  
7114 Harry Hines Blvd  
Dallas, TX 75235

TITLE: 2" SUBPLATE, LEVER, 2 POS,  
SPRING RTRN, 90D LEVER

DRAWING NO.:  
DIM\_HO16PR

THE INFORMATION CONTAINED WITHIN THIS DOCUMENT IS PROPRIETARY TO AAA PRODUCTS AND MAY NOT BE DISCLOSED WITHOUT PRIOR WRITTEN CONSENT