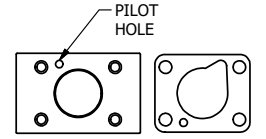
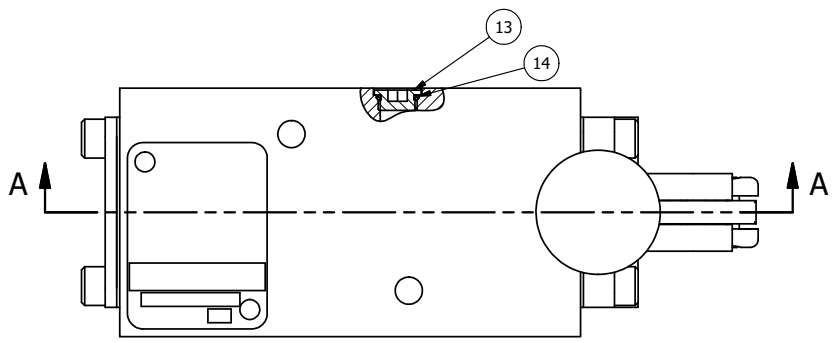


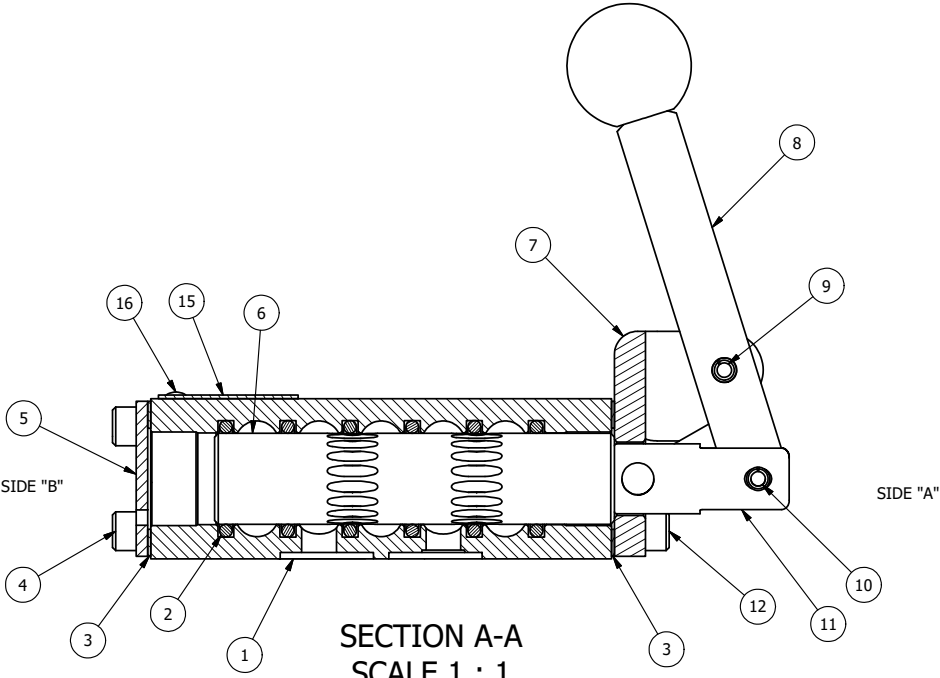
4 | 3 | 2 | 1



POSITION GASKET TO SEAL PILOT HOLE BOTH SIDES. (SIDE 'A' SHOWN)

NOTES:

- 1) ALWAYS GIVE VALVE MODEL, AND PART NUMBER WHEN ORDERING PARTS.
- 2) USE MASTER LOCK #7LJKAP176 (ORDERED SEPERATELY, #7LJ KEYPED ALIKE - KAP176).
- 3) FOR MULTIPLE LOCKS, USE LOCKOUT HASP LO23 (ORDERED SEPERATELY).



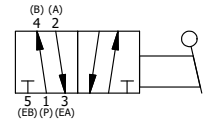
|     |     |          |  |
|-----|-----|----------|--|
| 17  | 1   | NSPK-2   | KIT - SUBPLATE MOUNTING, NAMUR VALVES                      |
| 16  | 2   | V-212    | SCREW, #2 X 3/16 DRIVE, TYPE U, OVAL HEAD, STAINLESS STEEL |
| 15  | 1   | AN-115   | NAMEPLATE, BLANK, FOR HE,KE,RR,D,CR,PP,SR,SS VALVES        |
| 14  | 1   | V-548    | O-RING, BUNA-N, 70 DURO, 6MM X 1MM, NAMUR PLUG             |
| 13  | 1   | V-547    | PLUG, 360 HALF HARD BRASS, NAMUR VALVE                     |
| 12  | 4   | V-162    | SCREW, 10-24 X 5/8, SOCKET HEAD CAP                        |
| 11  | 1   | HC3-1LOC | CLEVIS - POS. C LOCKOUT, 1/4" & 3/8" VALVE                 |
| 10  | 1   | V-48     | PIN, ROLL 3/16 X 9/16, STEEL, ZINC PLATED                  |
| 9   | 1   | V-508    | PIN, ROLL 3/16 X 5/8 ZINC PLATED STEEL FOR 1/4 FOOT ENDCAP |
| 8   | 1   | HL3-521  | HAND LEVER WITH RED KNOB, 1/4" & 3/8" VALVE                |
| 7   | 1   | HE3-5LO  | END CAP, LEVER, 303 STAINLESS, LOCKOUT, 1/4" & 3/8" VALVES |
| 6   | 1   | S3       | SPOOL - STANDARD, 2 POS, CLSD CTR, 1/4" & 3/8" VALVE       |
| 5   | 1   | SEC3     | END CAP, 304 STAINLESS STEEL, 1/4" & 3/8" VALVE            |
| 4   | 4   | V-37     | SCREW, 10-24 X 1/2, SOCKET HEAD CAP                        |
| 3   | 2   | ECG3     | GASKET - END CAP, 1/4" & 3/8" VALVE                        |
| 2   | 6   | V-39     | O-RING, VITON, STD BODY, 1/4" & 3/8" VALVES                |
| 1   | 1   | B2-11E-W | NAMUR INTERFACE, WITH 3/2 CONVERSION, 1/4" VALVE           |
| FLG | QTY | PART NO  | DESCRIPTION  |

LIMITS ON DIMENSIONS  
UNLESS OTHERWISE SPECIFIED  
2-PL DECIMAL ± .01  
3-PL DECIMAL ± .005  
FRACTIONAL ± 1/64  
ANGULAR ± 1/2°

**AAA PRODUCTS INTERNATIONAL**  
7114 Harry Hines Blvd  
Dallas, TX 75235

DRAWN: RMckenna DATE: 5/28/2022 CHECKED: KWaite DATE: 5/28/2022  
SCALE: 1:1 SHEET: 1 OF 1 RELEASED: HWomack DATE: 5/28/2022

|  |                              |       |
|--|------------------------------|-------|
| TITLE:<br><b>1/4" NAMUR, LEVER, 2 POS,<br/>FRCTN POS, LVR RTRN, HVY DTY,<br/>RED KNOB, LOCKOUT C</b> | PART NO.:<br><b>NHE2HJLO</b> | REV.: |
|--|------------------------------|-------|



4 | 3 | 2 | 1

THE INFORMATION CONTAINED WITHIN THIS DOCUMENT IS PROPRIETARY TO AAA PRODUCTS AND MAY NOT BE DISCLOSED WITHOUT PRIOR WRITTEN CONSENT

D:\Engineering\Products\Valves\Assembly\lever\HE2\NHE2HJLO.dwg