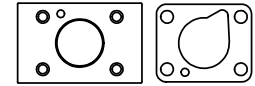
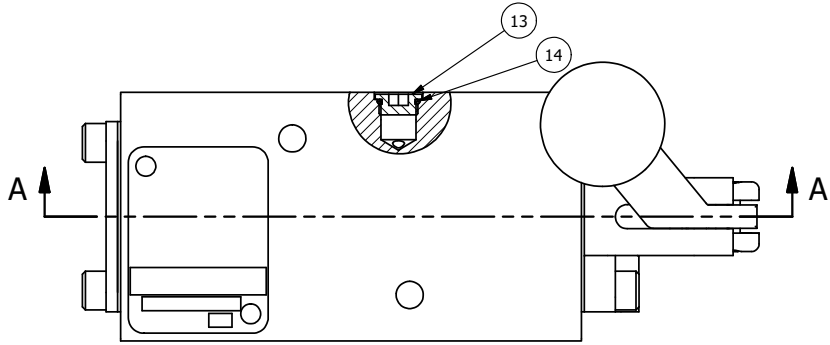


4 | 3 | 2 | 1

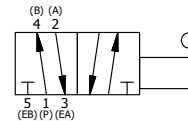
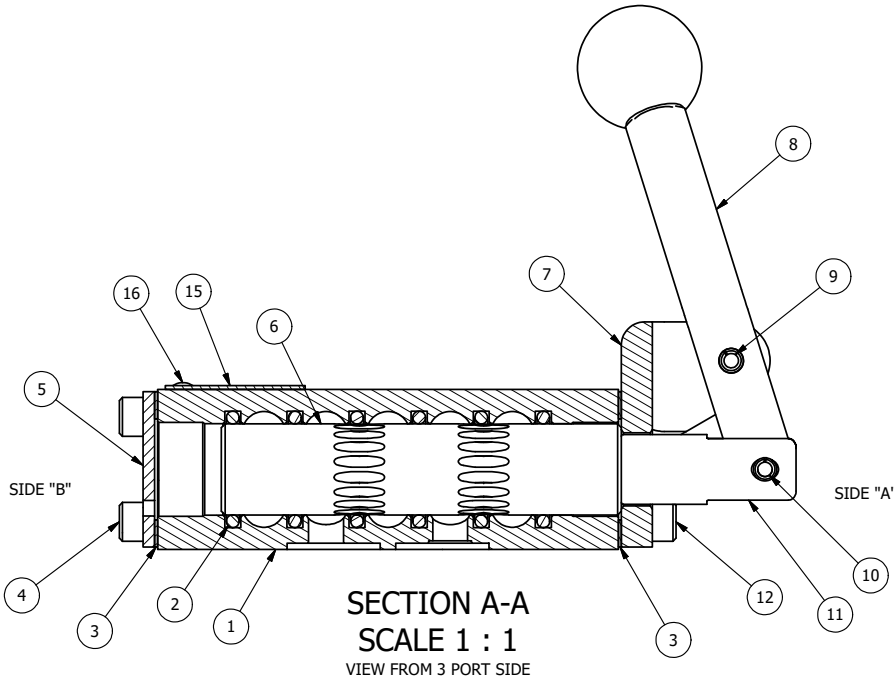


POSITION GASKET ON END OF VALVE SO MOUNTING HOLES ALIGN BOTH ENDS (SIDE 'A' SHOWN)

NOTES:

1) ALWAYS GIVE VALVE MODEL, AND PART NUMBER WHEN ORDERING PARTS.

|     |     |            |  |
|-----|-----|------------|--|
| 17  | 1   | NSPK-2     | KIT - SUBPLATE MOUNTING, NAMUR VALVES                              |
| 16  | 2   | V-212      | SCREW, #2 X 3/16 DRIVE, TYPE U, OVAL HEAD, STAINLESS STEEL         |
| 15  | 1   | AN-115     | NAMEPLATE, BLANK, FOR HE,KE,RR,D,CR,PP,SR,SS VALVES                |
| 14  | 1   | V-548      | O-RING, BUNA-N, 70 DURO, 6MM X 1MM, NAMUR PLUG                     |
| 13  | 1   | V-547      | PLUG, 360 HALF HARD BRASS, NAMUR VALVE                             |
| 12  | 4   | V-162      | SCREW, 10-24 X 5/8, SOCKET HEAD CAP                                |
| 11  | 1   | HC3        | CLEVIS - NO DETENTS, 1/4" & 3/8" VALVE                             |
| 10  | 1   | V-48       | PIN, ROLL 3/16 X 9/16, STEEL, ZINC PLATED                          |
| 9   | 1   | V-508      | PIN, ROLL 3/16 X 5/8 ZINC PLATED STEEL FOR 1/4 FOOT ENDCAP         |
| 8   | 1   | HL3-521B20 | HAND LEVER WITH RED KNOB, BENT 20 DEG SIDEWAYS, 1/4" & 3/8" VALVES |
| 7   | 1   | HE3-5      | END CAP, LEVER, 303 STAINLESS, 1/4" & 3/8" VALVE                   |
| 6   | 1   | S3         | SPOOL - STANDARD, 2 POS, CLSD CTR, 1/4" & 3/8" VALVE               |
| 5   | 1   | SEC3       | END CAP, 304 STAINLESS STEEL, 1/4" & 3/8" VALVE                    |
| 4   | 4   | V-37       | SCREW, 10-24 X 1/2, SOCKET HEAD CAP                                |
| 3   | 2   | ECG3       | GASKET - END CAP, 1/4" & 3/8" VALVE                                |
| 2   | 6   | V-39       | O-RING, VITON, STD BODY, 1/4" & 3/8" VALVES                        |
| 1   | 1   | B2-11E-W   | NAMUR INTERFACE, WITH 3/2 CONVERSION, 1/4" VALVE                   |
| FLG | QTY | PART NO    | DESCRIPTION  |



|   |                 |  |                    |  |
|---|-----------------|--|--------------------|--|
| LIMITS ON DIMENSIONS UNLESS OTHERWISE SPECIFIED                                 |                 | 2-PL DECIMAL ± .01<br>3-PL DECIMAL ± .005<br>FRACTIONAL ± 1/64<br>ANGULAR ± 1/2° |                    | <b>AAA PRODUCTS INTERNATIONAL</b><br>7114 Harry Hines Blvd<br>Dallas, TX 75235 |
| DRAWN: RMcKenna   | DATE: 5/28/2022 | CHECKED: KWaite  | DATE: 5/28/2022    |  |
| SCALE: 1 : 1  | SHEET: 1 OF 1   | RELEASED: HWomack  | DATE: 5/28/2022    |  |
| TITLE: 1/4" NAMUR, LEVER, 2 POS, FRICTION POS, BENT LVR RGHT, HVY DTY, RED KNOB |                 |  | PART NO.: NHE2BRHJ | REV.:  |

THE INFORMATION CONTAINED WITHIN THIS DOCUMENT IS PROPRIETARY TO AAA PRODUCTS AND MAY NOT BE DISCLOSED WITHOUT PRIOR WRITTEN CONSENT

4 | 3 | 2 | 1

D:\Engineering\Products\Valves\Assembly\lever\HE3\NHE2BRHJ.dwg